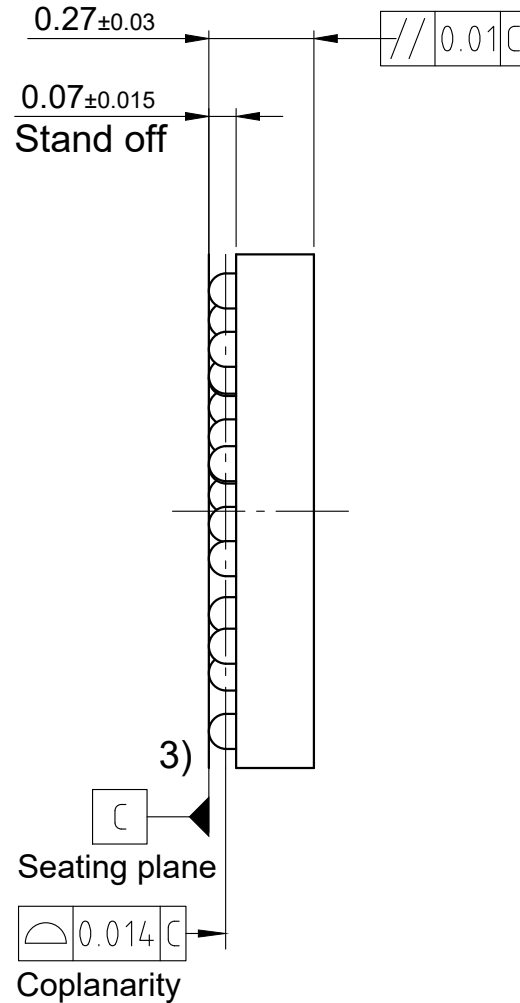
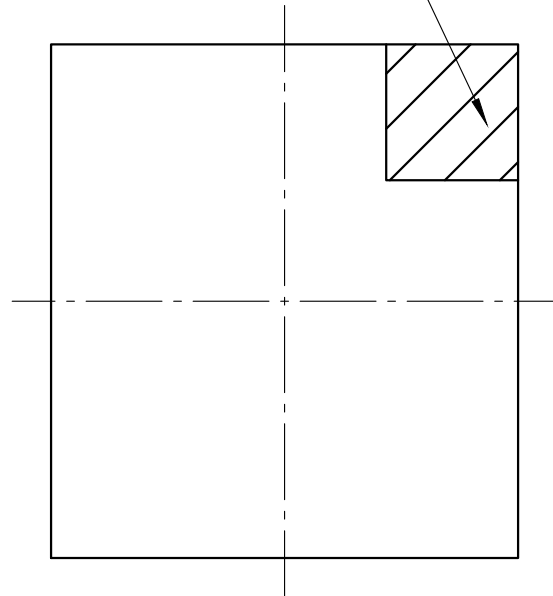
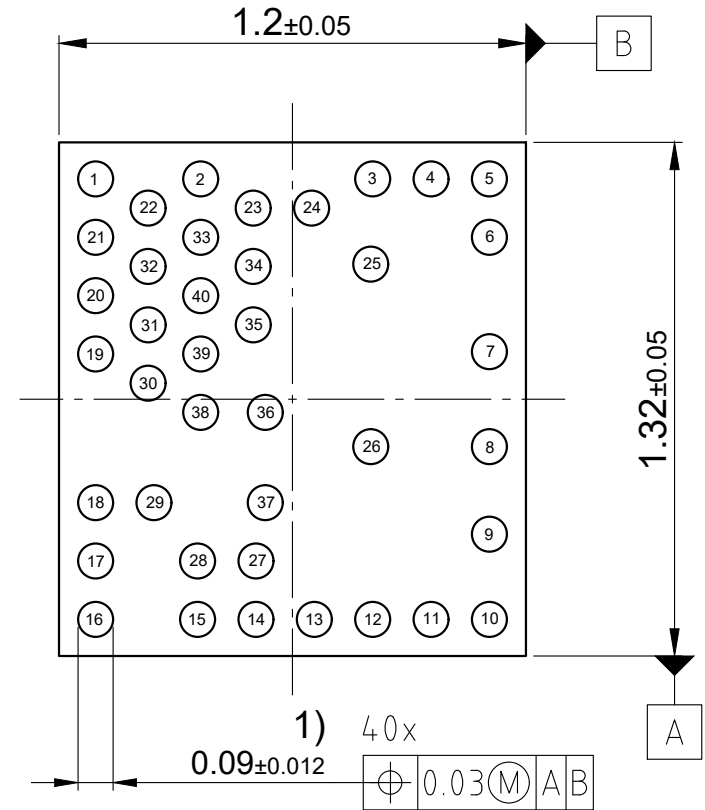


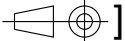
Pin1 corner index marking 2)



Bottom view



- 1) Dimension is measured at the maximum solder ball diameter, parallel to primary datum C
 - 2) Pin 1 corner identified by marking
 - 3) Primary datum C and seating plane are defined by the domed crowns of the balls
- All dimensions are in units mm

The drawing is in compliance with ISO 128-30, Projection Method 1 []