



Please note that Cypress is an Infineon Technologies Company.

The document following this cover page is marked as “Cypress” document as this is the company that originally developed the product. Please note that Infineon will continue to offer the product to new and existing customers as part of the Infineon product portfolio.

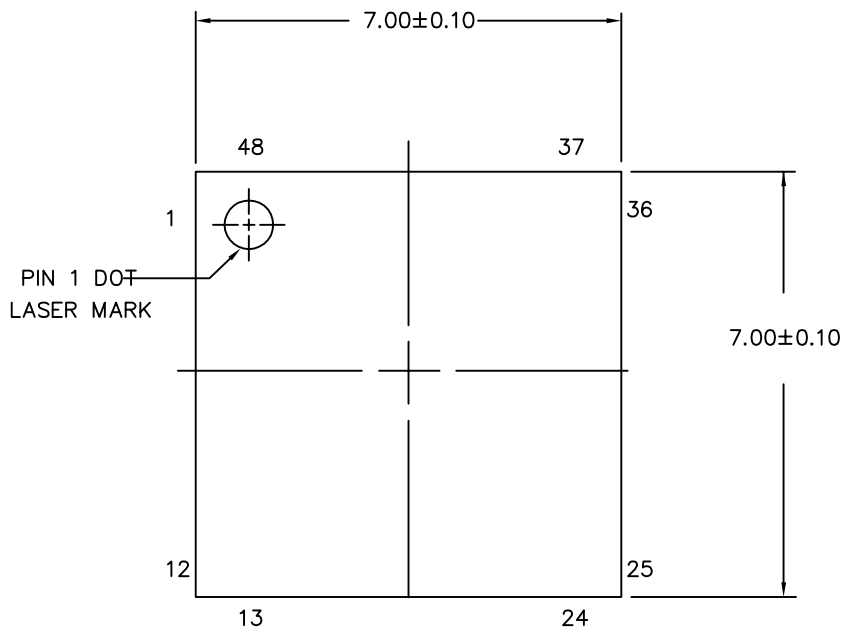
Continuity of document content

The fact that Infineon offers the following product as part of the Infineon product portfolio does not lead to any changes to this document. Future revisions will occur when appropriate, and any changes will be set out on the document history page.

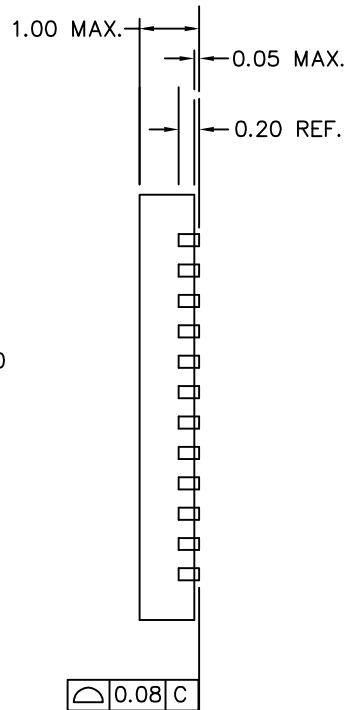
Continuity of ordering part numbers

Infineon continues to support existing part numbers. Please continue to use the ordering part numbers listed in the datasheet for ordering.

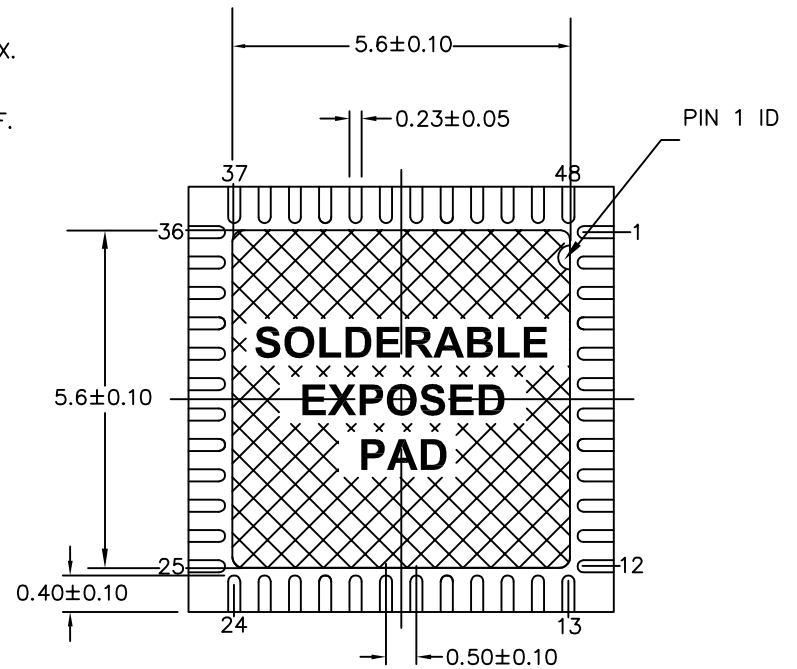
TOP VIEW



SIDE VIEW



BOTTOM VIEW



NOTES:

1. HATCH AREA IS SOLDERABLE EXPOSED METAL.
2. REFERENCE JEDEC#: MO-220
3. PACKAGE WEIGHT: REFER TO PMDD SPEC.
4. ALL DIMENSIONS ARE IN MM [MIN/MAX]
5. PACKAGE CODE


PART #	DESCRIPTION
LT48D	LEAD FREE

CYPRESS Company Confidential	
TITLE PACKAGE OUTLINE, 48L QFN 7X7X1.0 MM LT48D 5.6X5.6 EPAD (SAWN TYPE)	
SPEC NO. 001-45616	REV *F
SCALED TO FIT N/A	SHEET 1 OF 2

THIS DRAWING CONTAINS INFORMATION WHICH IS THE PROPRIETARY PROPERTY OF CYPRESS SEMICONDUCTOR CORPORATION. THIS DRAWING IS RECEIVED IN CONFIDENCE AND ITS CONTENTS MAY NOT BE DISCLOSED WITHOUT WRITTEN CONSENT OF CYPRESS SEMICONDUCTOR CORPORATION.

PACKAGE CODE(S)
LT48D

REV.	ECN NO.	ORIGIN OF CHANGE	DESCRIPTION OF CHANGE
**	2322908	—	NEW RELEASE
*A	2745682	—	CORRECTED PACKAGE CODE, FIX DRAWING FORMAT. ROUNDED OFF EPAD 5.55X5.55 TO 5.6X5.6 (5.55X5.55 IS NOT USED).
*B	2819358	—	CHANGE TO STANDARD TEMPLATE
*C	3513015	—	NO CHANGE. DUE FOR SUNSET REVIEW.
*D	3600501	—	CHANGED PACKAGE WEIGHT INFORMATION FROM 0.13g TO "REFER TO PMDD SPEC.
*E	4688191	XANC	FOR SUNSET REVIEW. UPDATE DRAWING TEMPLATE.
*F	5400939	XANC	REMOVED E-PAD 5.55 REF DIMENSION

 CYPRESS Company Confidential	
TITLE PACKAGE OUTLINE, 48L QFN 7X7X1.0 MM LT48D 5.6X5.6 EPAD (SAWN TYPE)	
SPEC NO. 001-45616	REV *F
SCALED TO FIT N/A	SHEET 2 OF 2

THIS DRAWING CONTAINS INFORMATION WHICH IS THE PROPRIETARY PROPERTY OF CYPRESS SEMICONDUCTOR CORPORATION. THIS DRAWING IS RECEIVED IN CONFIDENCE AND ITS CONTENTS MAY NOT BE DISCLOSED WITHOUT WRITTEN CONSENT OF CYPRESS SEMICONDUCTOR CORPORATION.

PACKAGE CODE(S)
LT48D