



**Please note that Cypress is an Infineon Technologies Company.**

The document following this cover page is marked as “Cypress” document as this is the company that originally developed the product. Please note that Infineon will continue to offer the product to new and existing customers as part of the Infineon product portfolio.

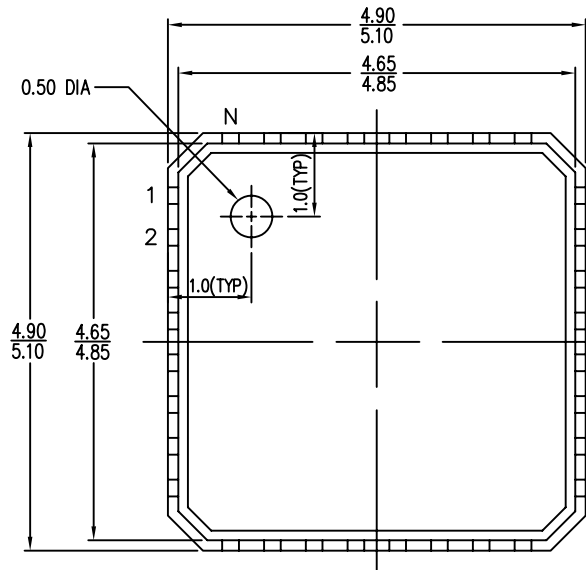
**Continuity of document content**

The fact that Infineon offers the following product as part of the Infineon product portfolio does not lead to any changes to this document. Future revisions will occur when appropriate, and any changes will be set out on the document history page.

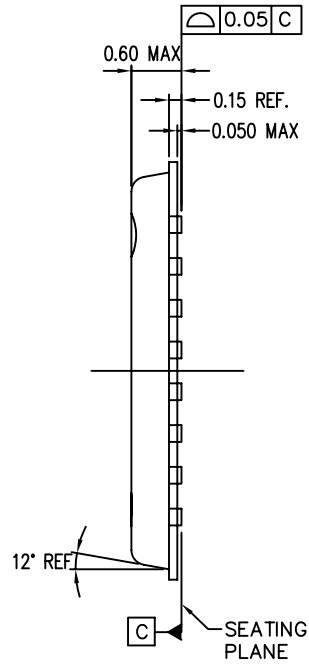
**Continuity of ordering part numbers**

Infineon continues to support existing part numbers. Please continue to use the ordering part numbers listed in the datasheet for ordering.

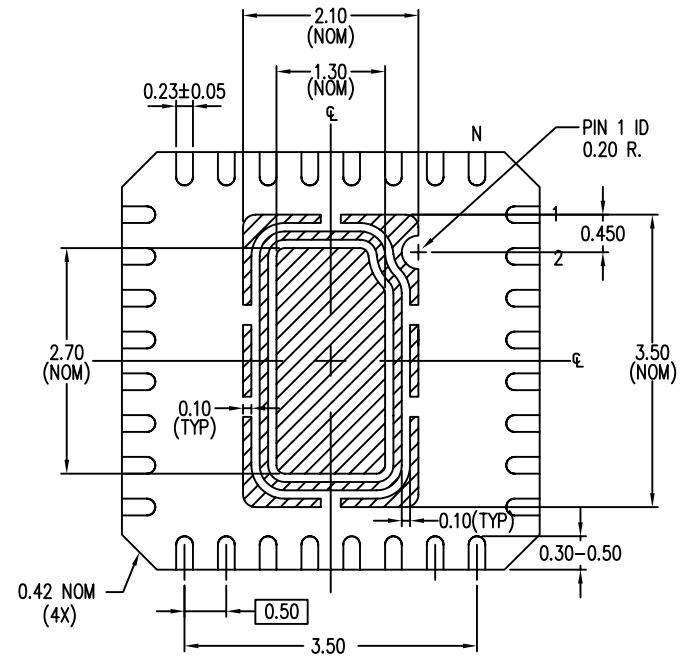
TOP VIEW



SIDE VIEW



BOTTOM VIEW



NOTES :



HATCH AREA IS EXPOSED METAL

JEDEC # MO-220

DIMENSIONS IN mm MIN. MAX.

UNIT PACKAGE WEIGHT : 0.0354 Grams

-PACKAGE CODE

PART NO.	DESCRIPTION
LJ32B	STANDARD
LK32B	PB-FREE



TITLE PACKAGE OUTLINE, 32L QFN 5X5X0.6 MM LJ32B/LK32B ( DUAL U-GROOVE PUNCH TYPE )


SPEC NO. 001-06392 REV \*E

SCALE SHEET 1 OF 2

THIS DRAWING CONTAINS INFORMATION WHICH IS THE PROPRIETARY PROPERTY OF CYPRESS SEMICONDUCTOR CORPORATION. THIS DRAWING IS RECEIVED IN CONFIDENCE AND ITS CONTENTS MAY NOT BE DISCLOSED WITHOUT WRITTEN CONSENT OF CYPRESS SEMICONDUCTOR CORPORATION.

PACKAGE CODE(S) LJ32B LK32B

Rev	ECN No.	Orig. of change	Description of Change
**	424814	ONG	NEW RELEASE
*A	564675	EBZ	ADDED "TYP" ON THE PIN 1 INDICATOR DISTANCE ON TOP VIEW DRAWING
*B	2870138	TZWTMP2	OBSOLETE
*C	3328565	QADTMP1	RE-ACTIVATE DRAWING
*D	3488157	EDCA	NO CHANGE. SUNSET REVIEW
*E	4658210	ROWI	SUNSET REVIEW, CHANGED DRAWING TEMPLATE.

 <b>CYPRESS</b> Company Confidential	
TITLE PACKAGE OUTLINE, 32L QFN 5X5X0.6 MM LJ32B/LK32B ( DUAL U-GROOVE PUNCH TYPE )	
SPEC NO. 001-06392	REV *E
SCALE	SHEET 2 OF 2

THIS DRAWING CONTAINS INFORMATION WHICH IS THE PROPRIETARY PROPERTY OF CYPRESS SEMICONDUCTOR CORPORATION. THIS DRAWING IS RECEIVED IN CONFIDENCE AND ITS CONTENTS MAY NOT BE DISCLOSED WITHOUT WRITTEN CONSENT OF CYPRESS SEMICONDUCTOR CORPORATION.

PACKAGE CODE(S)  
LJ32B  
LK32B

1 2 3 4 5 6

A

A

B

B

C

C

D

D

1 2 3 4 5 6