



Please note that Cypress is an Infineon Technologies Company.

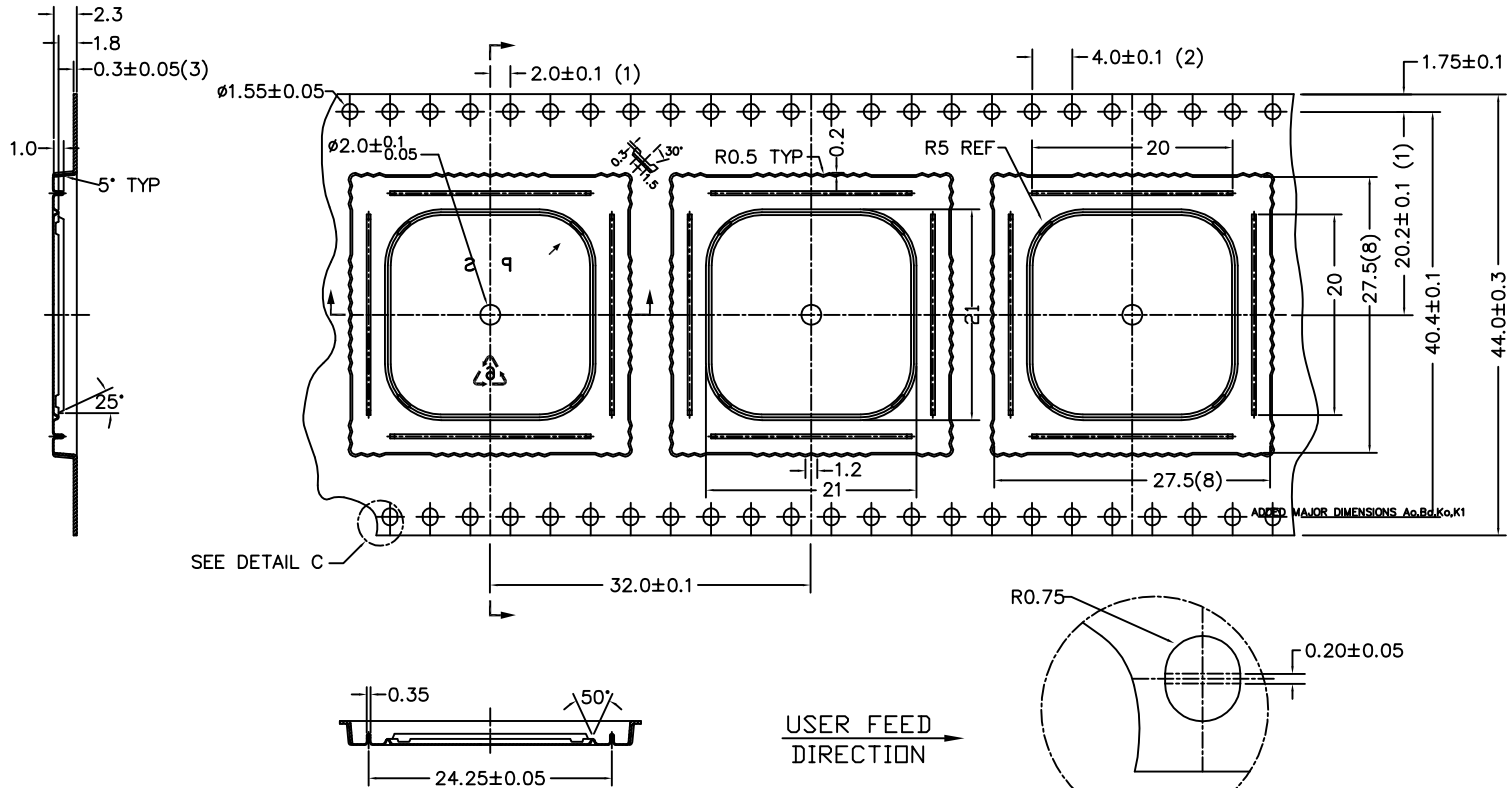
The document following this cover page is marked as “Cypress” document as this is the company that originally developed the product. Please note that Infineon will continue to offer the product to new and existing customers as part of the Infineon product portfolio.

Continuity of document content

The fact that Infineon offers the following product as part of the Infineon product portfolio does not lead to any changes to this document. Future revisions will occur when appropriate, and any changes will be set out on the document history page.

Continuity of ordering part numbers

Infineon continues to support existing part numbers. Please continue to use the ordering part numbers listed in the datasheet for ordering.

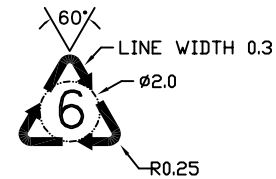


REVISIONS					
ZONE	REV #	EDN	DESCRIPTION	DATE	APPROVED
	101074		NEW RELEASE	05/16/00	
*A	117705		CHANGE TITLE FROM TOPP CARRIER TAPE (24X24X1.4MM) TO CARRIER TAPE ,TOPP 160/176 (24X24X1.4MM) . ADDED MAJOR DIMENSIONS Ao,Bo,Ko,K1 ADDED SPROCKET OFFSET TOLERANCE	07/31/02	
*B	3741705		CHANGE LOGO FROM CYPRESS SEMICONDUCTOR TO COMPANY CONFIDENTIAL	09/12/12	Z.A.

$A_o = 27.5 \pm 0.1$ mm.
 $B_o = 27.5 \pm 0.1$ mm.
 $K_o = 2.3 \pm 0.1$ mm.
 $K_1 = 1.8 \pm 0.1$ mm.

NOTES:

- (1) MEASURED FROM THE CENTER LINE OF SPROCKET HOLE TO CENTER LINE OF THE POCKET HOLE AND FROM THE CENTER LINE OF SPROCKET HOLE TO CENTER LINE OF THE POCKET
- (2) CUMULATIVE TOLERANCE OF 10 SPROCKET HOLES IS ± 0.20
- (3) THIS THICKNESS IS APPLICABLE AS MEASURED AT THE EDGE OF THE TAPE
4. MATERIAL: CONDUCTIVE POLYSTYRENE
5. DIM IN MM
6. ALLOWABLE CAMBER TO BE 1mm PER 100mm IN LENGTH, NON-CUMULATIVE OVER 250mm
7. UNLESS OTHERWISE SPECIFIED, TOLERANCE ± 0.10
- (8) MEASUREMENT POINT TO BE 0.3 FROM BOTTOM POCKET .
9. SURFACE RESISTIVITY -1.0×10^5 TO 1.0×10^9 OHMS/SQ.
10. MARKING ON THE BOTTOM.
11. MAXIMUM ALLOWABLE TOLERANCE BETWEEN TWO SPROCKET HOLE (ROUND AND OVAL) IS 0.05MM.



UNLESS OTHERWISE SPECIFIED		DESIGNED BY	DATE	CYPRESS COMPANY CONFIDENTIAL	
ALL DIMENSIONS ARE IN MILLIMETERS STANDARD TOLERANCES UNLESS OTHERWISE SPECIFIED		SMAN	09/12/12		
SCALE	1:1	CHK BY	ZXL		
DATE	09/12/12	APP BY	ZXL		
MATERIAL	SEE NOTE	APPROVED BY	OAD		
FINISH		DATE	09/12/12		
		DATE	09/12/12		
		SIZE	D	PART NO.	51-51114
		SCALE	1:1	DWG NO.	*B
				SHEET 1 OF 1	