



Please note that Cypress is an Infineon Technologies Company.

The document following this cover page is marked as “Cypress” document as this is the company that originally developed the product. Please note that Infineon will continue to offer the product to new and existing customers as part of the Infineon product portfolio.

Continuity of document content

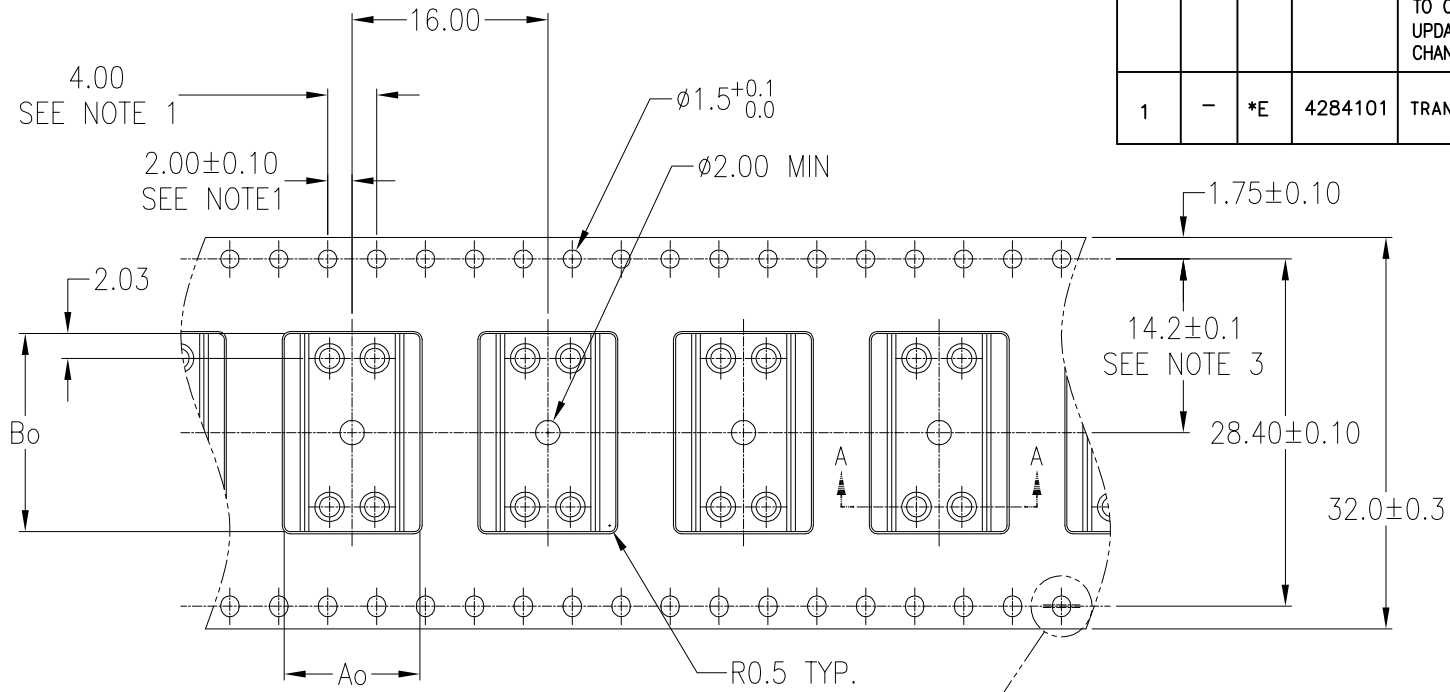
The fact that Infineon offers the following product as part of the Infineon product portfolio does not lead to any changes to this document. Future revisions will occur when appropriate, and any changes will be set out on the document history page.

Continuity of ordering part numbers

Infineon continues to support existing part numbers. Please continue to use the ordering part numbers listed in the datasheet for ordering.

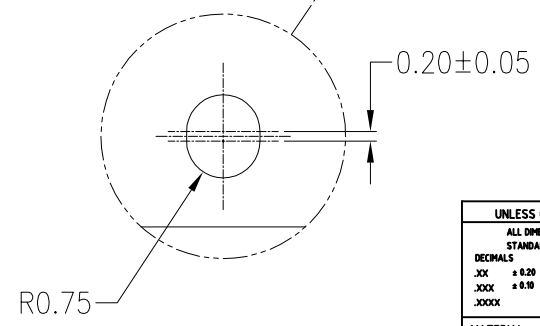
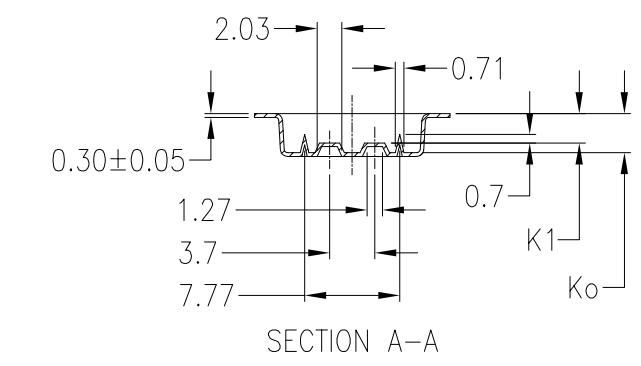
NOTES:

1. 10 SPROCKET HOLE PITCH CUMULATIVE TOLERANCE ± 0.2
2. CAMBER IN COMPLIANCE WITH EIA 481
3. POCKET POSITION RELATIVE TO SPROCKET HOLE MEASURED AS TRUE POSITION OF POCKET, NOT POCKET HOLE



$A_o = 11.10 \pm 0.1$
 $B_o = 16.20 \pm 0.1$
 $K_o = 3.20 \pm 0.1$
 $K_1 = 2.40 \pm 0.1$

REVISIONS						
PAGE	ZONE	REV	ECN	DESCRIPTION	DATE	APPROVED
1	-	**	61557	NEW RELEASE	04/12/99	
1	-	*A	117719	CHANGE TITLE FROM 48.3 SSOP CARRIER TAPE TO CARRIER TAPE, SSOP48 (300MILS)/DELETE SUPPLIER P/N/ADD TOLERANCE ON MAJOR DIMENSIONS/ADD SPROCKET OFFSET TOLERANCE	07/31/02	
1	-	*B	125676	Added CPAK Ao dimension	03/24/03	
1	-	*C	132440	Standardize Ao dimension to 11.1 and remove Cpak dimension.	01/06/04	
1	-	*D	3151578	CHANGE TITLE FROM CARRIER TAPE, SSOP48 (300 MILS) TO CARRIER TAPE, SSOP48 (300 MILS) (ADVANTEK) UPDATE DRAWING BASED ON SUPPLIER'S LATEST DRAWING CHANGE DRAWING TEMPLATE	01/24/11	
1	-	*E	4284101	TRANSFER DRAWING TO UPDATED TEMPLATE	02/18/14	



UNLESS OTHERWISE SPECIFIED		DESIGNED BY	DATE		
ALL DIMENSIONS ARE IN MILLIMETERS STANDARD TOLERANCES ON:		DRAWN	DATE		
DECIMALS		XVC	02/18/14		
.XX ± 0.20	ANGLES	CHK BY	DATE		
.XXX ± 0.10	± 1°	ECVI	02/18/14		
.XXXX		APPROVED BY	DATE		
		QAD	02/18/14		
MATERIAL	SEE NOTE	APPROVED BY	DATE	TITLE	
		AZY	02/18/14	CARRIER TAPE, SSOP48 (300 MILS) (ADVANTEK)	
FINISH	SEE NOTE	SIZE	PART NO.	DWG NO.	REV
		A	D48.3ACT	51-51104	*E
DO NOT SCALE				SHEET 1 OF 1	