



Please note that Cypress is an Infineon Technologies Company.

The document following this cover page is marked as “Cypress” document as this is the company that originally developed the product. Please note that Infineon will continue to offer the product to new and existing customers as part of the Infineon product portfolio.

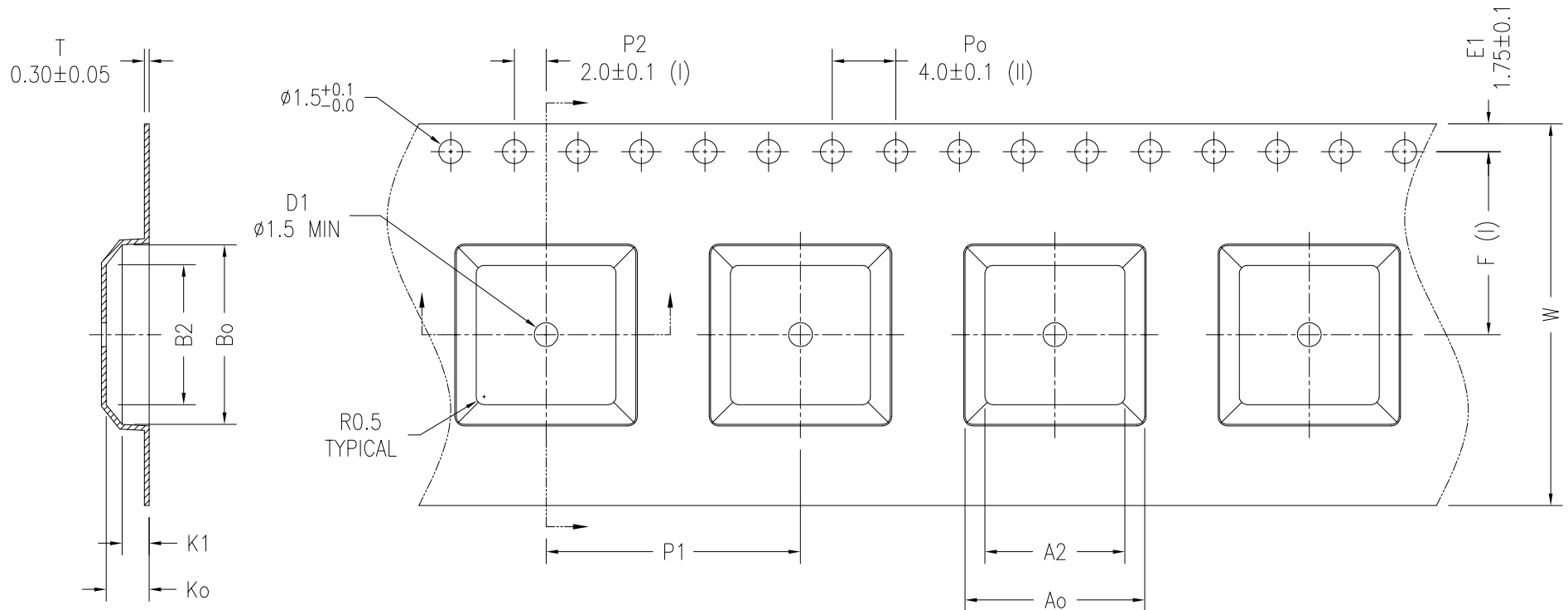
Continuity of document content

The fact that Infineon offers the following product as part of the Infineon product portfolio does not lead to any changes to this document. Future revisions will occur when appropriate, and any changes will be set out on the document history page.

Continuity of ordering part numbers

Infineon continues to support existing part numbers. Please continue to use the ordering part numbers listed in the datasheet for ordering.


REVISIONS						
PAGE	ZONE	REV	ECN	DESCRIPTION	DATE	APPROVED
1	-	**	101488	NEW RELEASE	06/06/00	
1	-	*A	111307	ADDED A ₀ ,A ₁ ,B ₀ ,B ₁ ,K ₀ ,K ₁ TOLERANCE DIMENSION	10/28/01	
1	-	*B	117736	CHANGE TITLE FROM 100 FBGA CARRIER TAPE (11 x 11MM) TO CARRIER TAPE, FBGA 100 (11 x 11MM), DELETED ADVANTEK P/N	07/31/02	
1	-	*C	588697	CHANGED VALUE OF A ₀ ,B ₀ FROM 8.8 TO 11.3 AND A ₁ ,B ₁ FROM 11.3 TO 8.8	12/06/06	
1	-	*D	2247006	INTERCHANGE A ₀ TO A ₁ AND B ₀ TO B ₁ WITH REFERENCE TO CORRECT DIMENSIONS	03/26/08	
1	-	*E	3223592	UPDATED DRAWING BASED ON SUPPLIER'S LATEST DRAWING REVISION CHANGE DRAWING TEMPLATE	04/25/11	QAD/KGL
1	-	*F	3598936	REMOVE LAYER COLORS ON PDF FILE	04/25/12	QAD/UYO/AVC



A ₀	11.30±0.1
A ₂	8.80±0.1
B ₀	11.30±0.1
B ₂	8.80±0.1
K ₀	2.70±0.1
K ₁	1.70±0.1
F	11.50±0.1
P ₁	16.00±0.1
W	24.00±0.3

- NOTES:
- (I). MEASURED FROM CENTERLINE OF SPROCKET HOLE TO CENTERLINE OF POCKET
 - (II). CUMULATIVE TOLERANCE OF 10 SPROCKET HOLES IS ±0.20
 - (III). ALL DIMENSIONS ARE IN MILLIMETERS UNLESS OTHERWISE STATED

THIS DRAWING CONTAINS INFORMATION WHICH IS THE PROPRIETARY PROPERTY OF CYPRESS SEMICONDUCTOR CORPORATION. THIS DRAWING IS RECEIVED IN CONFIDENCE AND ITS CONTENTS MAY NOT BE DISCLOSED WITHOUT WRITTEN CONSENT OF CYPRESS SEMICONDUCTOR CORPORATION.

UNLESS OTHERWISE SPECIFIED ALL DIMENSIONS ARE IN MILLIMETERS STANDARD TOLERANCES ON: DECIMALS ANGLES .X ± 0.10 ± .XX ± 0.10 .XXX ±	DESIGNED BY	DATE	 CYPRESS Company Confidential				
	DRAWN BY AQO	DATE 04/25/12					
	CHECKED BY AVC	DATE 04/25/12					
	APPROVED BY QAD	DATE 04/25/12					
MATERIAL SEE NOTES	APPROVED BY UYO	DATE 04/25/12	TITLE CARRIER TAPE, FBGA 100 (11 x 11MM)				
FINISH	APPROVED BY	DATE	<table border="1"> <tr> <td>SIZE A</td> <td>PART NO. BB100CT</td> <td>DWG NO 51-51116</td> <td>REV *F</td> </tr> </table>	SIZE A	PART NO. BB100CT	DWG NO 51-51116	REV *F
SIZE A	PART NO. BB100CT	DWG NO 51-51116	REV *F				
SCALED TO FIT		ENG'G REV	SHEET 1 OF 1				