



Please note that Cypress is an Infineon Technologies Company.

The document following this cover page is marked as “Cypress” document as this is the company that originally developed the product. Please note that Infineon will continue to offer the product to new and existing customers as part of the Infineon product portfolio.

Continuity of document content

The fact that Infineon offers the following product as part of the Infineon product portfolio does not lead to any changes to this document. Future revisions will occur when appropriate, and any changes will be set out on the document history page.

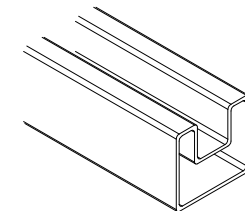
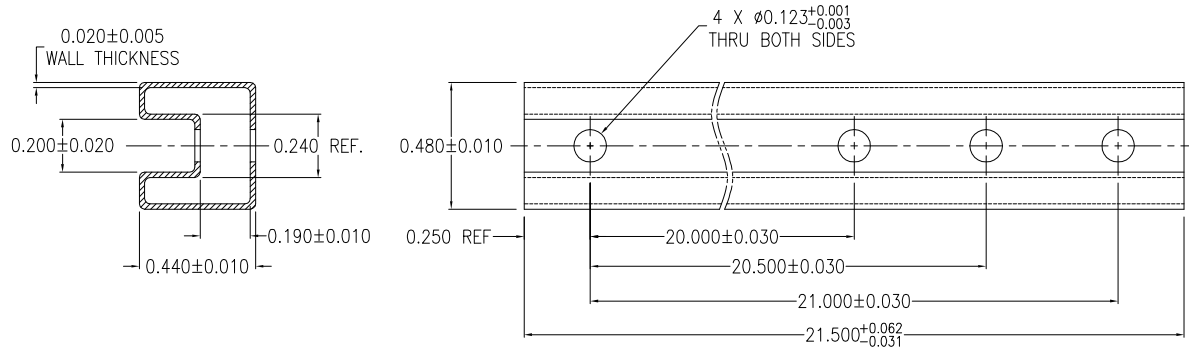
Continuity of ordering part numbers

Infineon continues to support existing part numbers. Please continue to use the ordering part numbers listed in the datasheet for ordering.

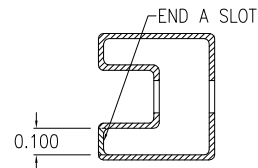
NOTES:

1. ALL PARTS TO MEET THE REQUIREMENTS OF CYPRESS SPECIFICATION #03-00029
2. MATERIAL: TRANS. RIGID PVC
3. COLOR: CLEAR ON STB-300, RED ON STB-300R
4. DIMENSIONED FOR AP PUNCH. MANUAL HOLE PUNCH OPTIONAL.
5. CYPRESS LOGO AND "CYPRESS SEMICONDUCTOR" PRINT ON TUBE IS OPTIONAL
6. TUBE PART NUMBER WITH SLOT: STB-300R

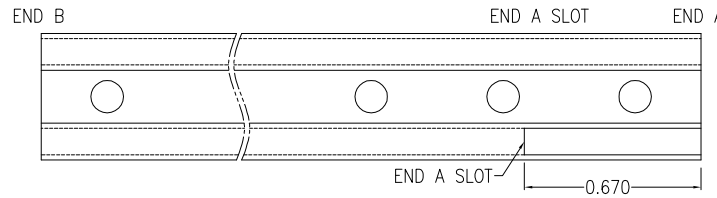
				REVISIONS		
PAGE	ZONE	REV	ECN	DESCRIPTION	DATE	APPROVED
1	-	**	175	NEW RELEASE	05/06/91	
1	-	*A	467	ADD PRINTING DETAIL, CHG. NOTE #6	10/23/92	
1	-	*B	478	CHG. NOTES	01/05/93	
1	-	*C	632	CHG. NOTE #5 2, 3. ADD PART STB-300R CHG. TITLE.	03/14/94	
1	-	*D	1100	ADD NOTE #5, REMOVE PRINTING DETAIL	01/31/95	
1	-	*E	461795	ADD NOTE NUMBER 6 ADD SLOTTED RED TUBE DRAWING	05/13/06	
1	-	*F	3277229	UPDATED DRAWING CHANGE DRAWING TEMPLATE	06/17/11	QAD/KGL
1	-	*G	4584851	SUNSET REVIEW, NO CHANGE.	12/02/14	QAD/UYO



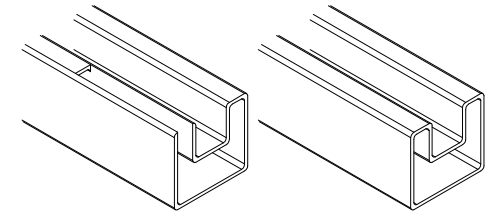
PERSPECTIVE (WITHOUT SLOT)



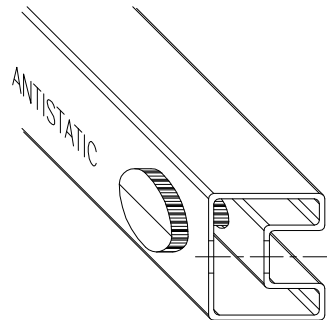
RED SLOTTED RIGHT SIDE VIEW



RED SLOTTED TOP VIEW




END A
END B
RED SLOTTED TUBE PERSPECTIVE



PART #: STB-300/ STB-300R

THIS DRAWING CONTAINS INFORMATION WHICH IS THE PROPRIETARY PROPERTY OF CYPRESS SEMICONDUCTOR CORPORATION. THIS DRAWING IS RECEIVED IN CONFIDENCE AND ITS CONTENTS MAY NOT BE DISCLOSED WITHOUT WRITTEN CONSENT OF CYPRESS SEMICONDUCTOR CORPORATION.

UNLESS OTHERWISE SPECIFIED ALL DIMENSIONS ARE IN INCHES STANDARD TOLERANCES ON: DECIMALS .XX ± ANGLES ± .XXX ± .XXXX ±	DESIGNED BY	DATE	 CYPRESS Company Confidential				
	DRAWN BY	DATE					
	CHECKED BY	DATE					
	APPROVED BY	DATE					
MATERIAL	SEE NOTE 2	APPROVED BY	DATE	TITLE			
FINISH		APPROVED BY	DATE	300 MIL SQUARE SHIPPING TUBE			
				SIZE A	PART NO. SEE NOTE	DWG NO. 51-51004	REV *G
				SCALED TO FIT	ENG'G REV	SHEET 1 OF 1	