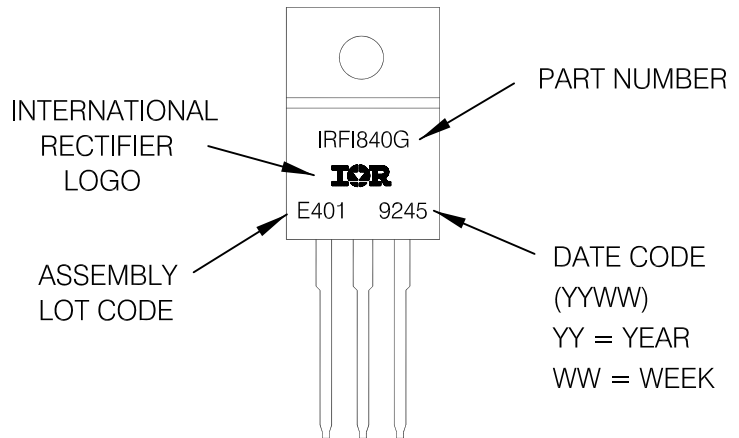


TO-220 FULL-PAK

Notes: This part marking information applies to all devices produced before 02/26/2001 and currently for parts manufactured in GB.

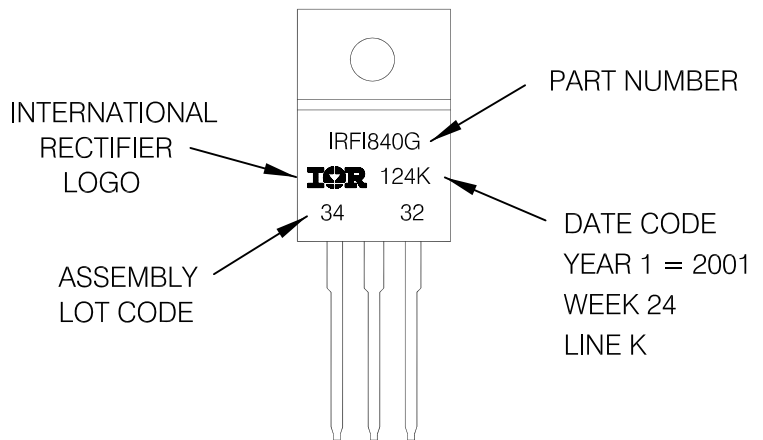
EXAMPLE: THIS IS AN IRFI840G
WITH ASSEMBLY
LOT CODE E401



TO-220 FULL-PAK (Lead - Free)

Notes: This part marking information applies to devices produced after 02/26/2001 in location other than GB.

EXAMPLE: THIS IS AN IRFI840G
WITH ASSEMBLY
LOT CODE 3432
ASSEMBLED ON WW 24, 2001
IN THE ASSEMBLY LINE "K"



Note: "P" in assembly line position indicates "Lead-Free"