



Please note that Cypress is an Infineon Technologies Company.

The document following this cover page is marked as “Cypress” document as this is the company that originally developed the product. Please note that Infineon will continue to offer the product to new and existing customers as part of the Infineon product portfolio.

Continuity of document content

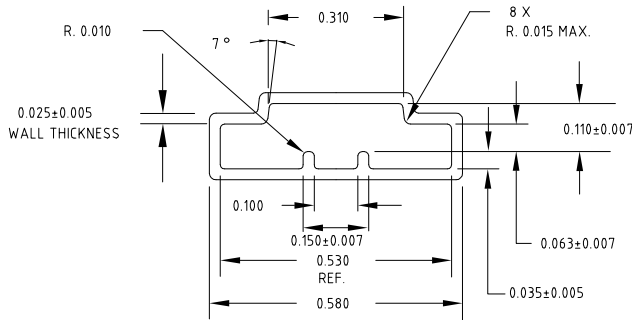
The fact that Infineon offers the following product as part of the Infineon product portfolio does not lead to any changes to this document. Future revisions will occur when appropriate, and any changes will be set out on the document history page.

Continuity of ordering part numbers

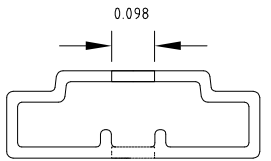
Infineon continues to support existing part numbers. Please continue to use the ordering part numbers listed in the datasheet for ordering.

NOTES:

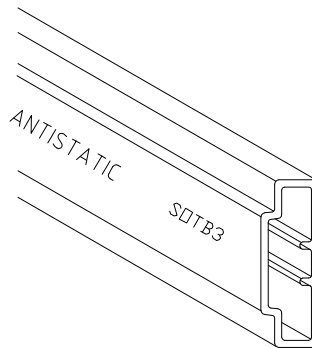
1. ALL PARTS TO MEET THE REQUIREMENTS OF CYPRESS SPECIFICATION #03-00029
2. MATERIAL: REFER TO SPEC. #03-00029
3. FINISH: REFER TO SPEC. #03-00029
4. MAX. BURR ON INNER SIDE OF TUBE SHALL BE 0.010 IN.
5. CYPRESS LOGO AND "CYPRESS SEMICONDUCTOR" PRINT ON TUBE IS OPTIONAL
6. TUBE PART NUMBER WITH SLOT: SOTB3-R, SOTB3-BL
7. TUBE PART NUMBER WITH ARROW MARK: SOTB3-G



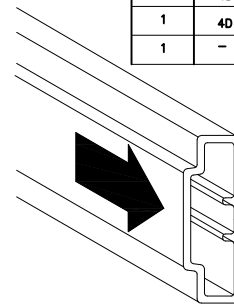
RIGHT SIDE VIEW (WITHOUT SLOT)



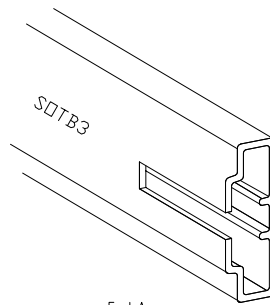
RED AND BLACK SLOTTED TUBE RIGHT SIDE VIEW



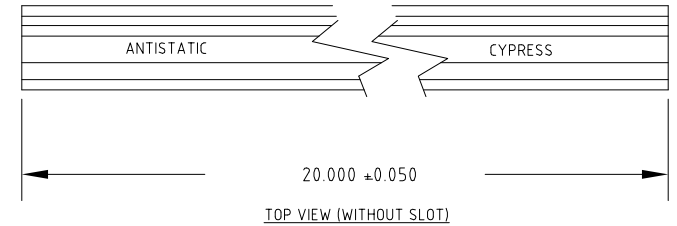
PERSPECTIVE (WITHOUT SLOT)



GREEN TUBE WITH ARROW

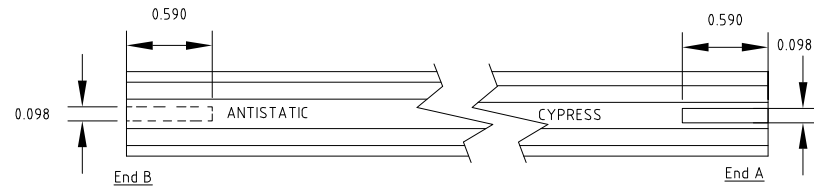


RED AND BLACK SLOTTED TUBE PERSPECTIVE



TOP VIEW (WITHOUT SLOT)

SCALE 1:1



RED AND BLACK SLOTTED TUBE TOP VIEW

REVISIONS						
PAGE	ZONE	REV	ECN	DESCRIPTION	DATE	APPROVER
1	-	**	2754090	CREATED DWG TEMPLATE	08/28/09	BZG
1	-	xA	469	ADD PRINTING DETAIL, CHG. NOTE #5	10/23/92	
1	-	xB	481	CHG. NOTES	01/05/93	
1	-	xC	1099	ADD NOTE #5, REMOVE PRINTING DETAIL	01/31/95	
1	-	xD	133881	ADDED TABLE FOR P/N PER COLOR, CHANGE TITLE FROM 300MIL SOIC/SOJ SHIPPING TUBE TO TUBE, SOJ20/24/28/32, SSOP48/56, SOIC16/20/24/28, 300 MILS, CHANGE P/N FROM SOTB3 TO SOTB3-*	2/19/04	
1	-	xE	211163	ADD RED SLOTTED TUBE DRAWING, ADD NOT NUMBER 6, CHANGE SCALE TO 3:1. INSERT "RED SLOTTED" AND "BLACK SLOTTED" IN THE TABLE	3/13/04	
1	-	xF	462497	ADDED +/-0.007 TOLERANCE RIB TO SHOULDER AND SADDLE HEIGHT DIMENSION (0.063in, 0.110in), +/-0.005 TOLERANCE TO RIB DIMENSION (0.150in)	5/24/06	
1	-	xG	496332	CHANGED RIB TO RIB TOLERANCE FROM +/-0.005 TO +/-0.007	8/22/06	
1	-	xH	2571808	ADD DRAWING OF GREEN TUBE WITH ARROW MARK ON ONE END (END B). ADD NOTE NUMBER 7.	09/25/08	
1	-	xi	2791305	REDUCE TOLERANCE FOR TUBE RIB FROM +/-0.010 TO +/-0.005	04/26/10	
		xj	3389528	Sunset review, no change	09/30/11	QAD
1	4D	xK	3424005	CHANGE UNIT OF MEASURE FROM MILLIMETERS TO INCHES	10/27/11	QAD/KGL
1	4D	xL	4503842	UPDATE DRAWING TEMPLATE	09/16/14	
1	-	xM	5028209	ADDED 3 DECIMAL PLACES GENERAL TOLERANCE. CHANGED UNIT STANDARD UNIT OF MEASUREMENT FROM MILLIMETERS TO INCHES	11/26/15	

SOTB3-B	SOJ20/24/28/32, SSOP48/56, SOIC16/20/24/28, 300 MILS, BLUE WITH BLUE PRINT
SOTB3-BL	SOJ20/24/28/32, SSOP48/56, SOIC16/20/24/28, 300 MILS, SLOTTED BLACK TUBE WITH BLUE PRINT
SOTB3-CB	SOJ20/24/28/32, SSOP48/56, SOIC16/20/24/28, 300 MILS, CLEAR WITH BLUE PRINT
SOTB3-CG	SOJ20/24/28/32, SSOP48/56, SOIC16/20/24/28, 300 MILS, CLEAR WITH GREEN PRINT
SOTB3-G-GRN	SOJ20/24/28/32, SSOP48/56, SOIC16/20/24/28, 300 MILS, GREEN WITH BLUE PRINT, GREEN PREPLUGGED
SOTB3-G-WHI	SOJ20/24/28/32, SSOP48/56, SOIC16/20/24/28, 300 MILS, GREEN WITH BLUE PRINT, WHITE PREPLUGGED
SOTB3-G-BLU	SOJ20/24/28/32, SSOP48/56, SOIC16/20/24/28, 300 MILS, GREEN WITH BLUE PRINT, BLUE PREPLUGGED
SOTB3-G-YEL	SOJ20/24/28/32, SSOP48/56, SOIC16/20/24/28, 300 MILS, GREEN WITH BLUE PRINT, YELLOW PREPLUGGED
SOTB3-G-GRY	SOJ20/24/28/32, SSOP48/56, SOIC16/20/24/28, 300 MILS, GREEN WITH BLUE PRINT, GRAY PREPLUGGED
SOTB3-G-PNK	SOJ20/24/28/32, SSOP48/56, SOIC16/20/24/28, 300 MILS, GREEN WITH BLUE PRINT, PINK PREPLUGGED
SOTB3-O	SOJ20/24/28/32, SSOP48/56, SOIC16/20/24/28, 300 MILS, ORANGE WITH BLUE PRINT
SOTB3-R	SOJ20/24/28/32, SSOP48/56, SOIC16/20/24/28, 300 MILS, SLOTTED RED TUBE WITH BLUE PRINT

UNLESS OTHERWISE SPECIFIED		DESIGNED BY	DATE	
ALL DIMENSIONS ARE IN INCHES STANDARD TOLERANCES ON: DECIMALS .XX ± 0.01 .XXX ± 0.010 .XXXX ANGLES ± 10		XVC	09/16/14	
MATERIAL		ECVI	09/16/14	TITLE
SEE NOTE		QAD	09/16/14	TUBE SOJ 20/24/28/32, SSOP 48/56, SOIC 16/20/24/28 300 MILS
FINISH		UYO	09/16/14	SIZE
SEE NOTE				A
				PART NO.
				SOTB3-*M
				DWG NO
				51-51000
				REV
				*M
DO NOT SCALE				SHEET 1 OF 1