



**Please note that Cypress is an Infineon Technologies Company.**

The document following this cover page is marked as “Cypress” document as this is the company that originally developed the product. Please note that Infineon will continue to offer the product to new and existing customers as part of the Infineon product portfolio.

**Continuity of document content**

The fact that Infineon offers the following product as part of the Infineon product portfolio does not lead to any changes to this document. Future revisions will occur when appropriate, and any changes will be set out on the document history page.

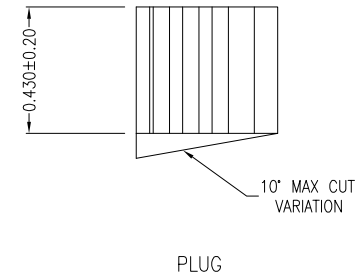
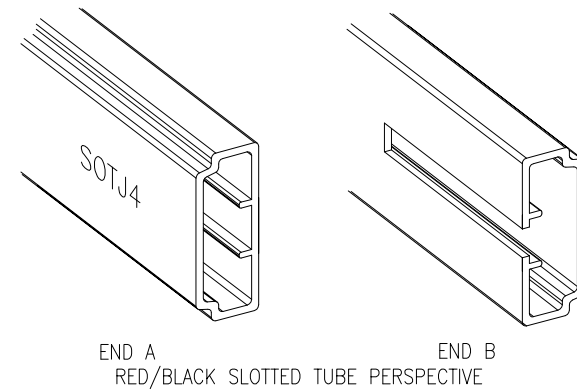
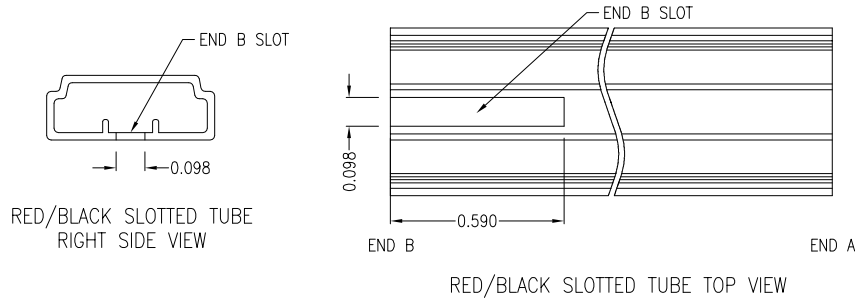
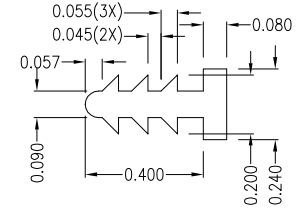
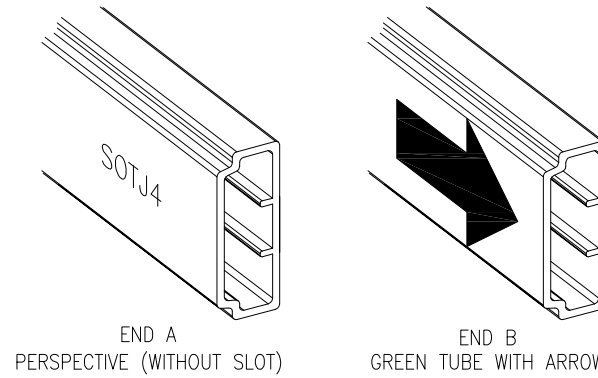
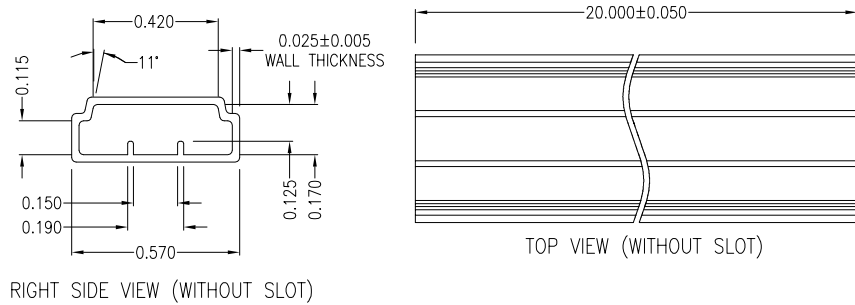
**Continuity of ordering part numbers**

Infineon continues to support existing part numbers. Please continue to use the ordering part numbers listed in the datasheet for ordering.

NOTE:

1. ALL PARTS TO MEET THE REQUIREMENTS OF CYPRESS SPECIFICATION #03-00029
2. MATERIAL: REFER TO SPEC. #03-00029
3. FINISH: REFER TO SPEC. #03-00029
4. MAX. BURR ON INNER SIDE OF TUBE SHALL BE 0.010 IN.
5. CYPRESS LOGO AND "CYPRESS SEMICONDUCTOR" PRINT ON TUBE IS OPTIONAL
6. PLUG MATERIAL: SBR - COLOR: BLACK
7. TUBE PART NUMBER WITH SLOT : VTB400-R , VTB400-BL
8. TUBE PART NUMBER WITH ARROW MARK : VTB400-G-GRN

REVISIONS						
PAGE	ZONE	REV	ECN	DESCRIPTION	DATE	APPROVER
1	-	**	53625	NEW RELEASE	12/15/97	
1	-	*A	53875	ADD PLUG/ CHG. TITLE	01/21/98	
1	-	*B	133880	Added table for p/n per color, change title from 32.4 SOJ400 MILS Shipping tube and plug - CML to Tube,SOJ32/36/44, 400 mils, change p/n from VTB400 to VTB400-*	02/17/04	
1	-	*C	211163	Add slotted tube drawing & note #7, Add Red "slotted tube" and Black "slotted tube" in the table, Correct dimension (fr 0.110 to 0.170/fr 0.070 to 0.125)	03/23/04	
1	-	*D	2571808	Add drawing of green tube with arrow mark on one end (end B). Add note #8.	09/25/08	
1	-	*E	3275848	UPDATED DRAWING CHANGE DRAWING TEMPLATE	06/08/11	
1	-	*F	4596623	UPDATED DRAWING TEMPLATE	12/15/14	
1	-	*G	6155076	Correct tube top width dimension from 0.422 in to 0.420 in	04/26/18	



TUBE TYPE	CY PART #
SOJ32/36/44,400MILS, BLUE WITH BLUE PRINT	VTB400-B
SOJ32/36/44,400MILS, BLACK SLOTTED TUBE WITH BLUE PRINT	VTB400-BL
SOJ32/36/44,400MILS, CLEAR WITH BLUE PRINT	VTB400-CB
SOJ32/36/44,400MILS, CLEAR WITH GREEN PRINT	VTB400-CG
SOJ32/36/44,400MILS, GREEN WITH BLUE PRINT, GREEN PREPLUGGED	VTB400-C-GRN
SOJ32/36/44,400MILS, ORANGE WITH BLUE PRINT	VTB400-O
SOJ32/36/44,400MILS, YELLOW WITH BLUE PRINT	VTB400-Y
SOJ32/36/44,400MILS, RED SLOTTED TUBE WITH BLUE PRINT	VTB400-R

UNLESS OTHERWISE SPECIFIED		DESIGNED BY	DATE	 CYPRESS COMPANY CONFIDENTIAL
ALL DIMENSIONS ARE IN MILLIMETERS		DRAWN	DATE	
STANDARD TOLERANCES ON:		CHK BY	DATE	
DECIMALS	ANGLES	APPROVED BY	DATE	
.XX ± 0.10	± 1.0	PCWO	04/26/18	
.XXX ± 0.100		APPROVED BY	DATE	
.XXXX ± 0.1000		CGON	04/26/18	
MATERIAL	SEE NOTE	TITLE		TUBE, SOJ32/36/44 400, 400MILS
FINISH	SEE NOTE	SIZE	PART NO.	DWG NO.
		A	VTB400-*	51-51087
DO NOT SCALE				REV *G
SHEET 1 OF 1				