



Please note that Cypress is an Infineon Technologies Company.

The document following this cover page is marked as “Cypress” document as this is the company that originally developed the product. Please note that Infineon will continue to offer the product to new and existing customers as part of the Infineon product portfolio.

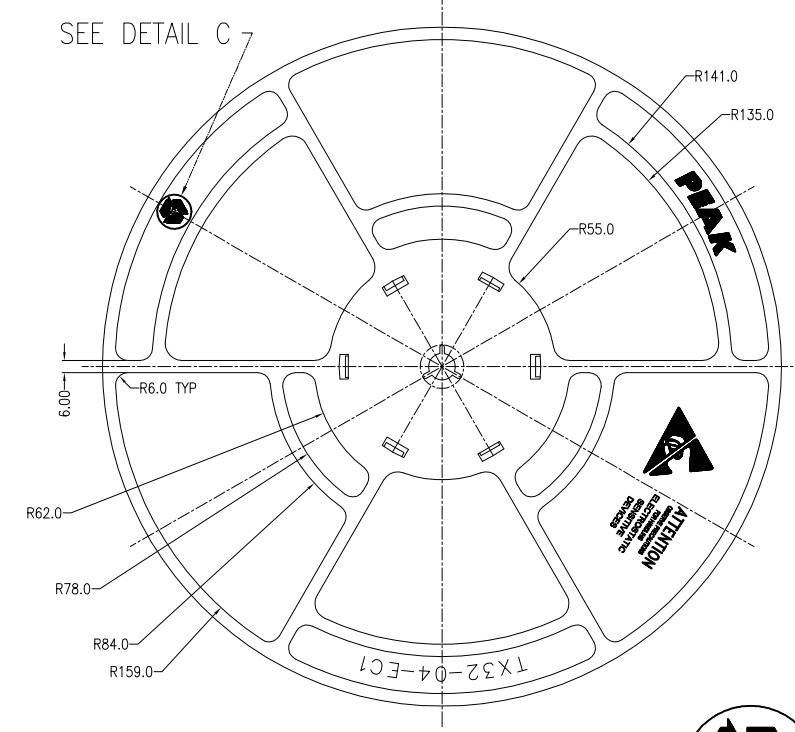
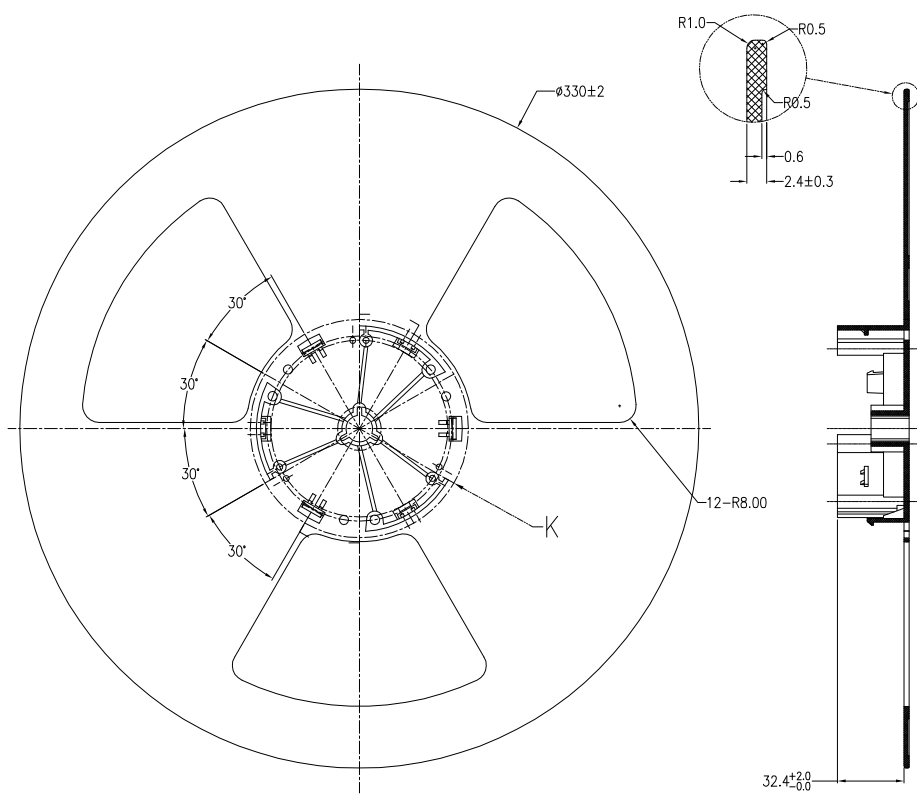
Continuity of document content

The fact that Infineon offers the following product as part of the Infineon product portfolio does not lead to any changes to this document. Future revisions will occur when appropriate, and any changes will be set out on the document history page.

Continuity of ordering part numbers

Infineon continues to support existing part numbers. Please continue to use the ordering part numbers listed in the datasheet for ordering.

REVISIONS						
PAGE	ZONE	REV	ECN	DESCRIPTION	DATE	APPROVED
1	-	**	59942	NEW RELEASE	12/08/98	
1	-	*A	125234	CHANGE DESCRIPTION TO "REEL, 13" DIA. ANTISTATIC, 32MM WIDTH/ 4" HUB. CHANGE ITEM#8 ON THE NOTES FROM PART NO 3322 202 07241 TO TX32-04-A3, P5058.	03/10/03	
1	-	*B	303935	ADD BLACK LOCK REEL DRAWING	12/22/04	
ALL	-	*C	3164250	CHANGE TITLE FROM REEL, 13" DIA. ANTISTATIC, 32MM WIDTH/ 4" HUB TO REEL, 13INCH DIA., 32MM W X 4INCH HUB UPDATE DRAWING BASED ON SUPPLIER'S LATEST DRAWING CHANGE DRAWING TEMPLATE	02/07/11	QAD/KGL
ALL	-	*D	3532453	CORRECTED TOLERANCE OF X.X FROM 0.25 TO 0.40 AND X.XX FROM 0.25 TO 0.20 ON STANDARD TOLERANCE SECTION. REMOVE LAYER COLORS ON PDF FILE.	02/23/12	QAD/AZY
ALL	-	*E	4691290	SUNSET REVIEW. NO CHANGE.	03/18/15	QAD/UYO



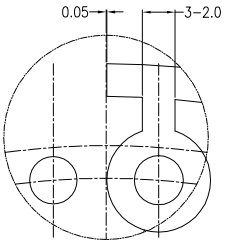
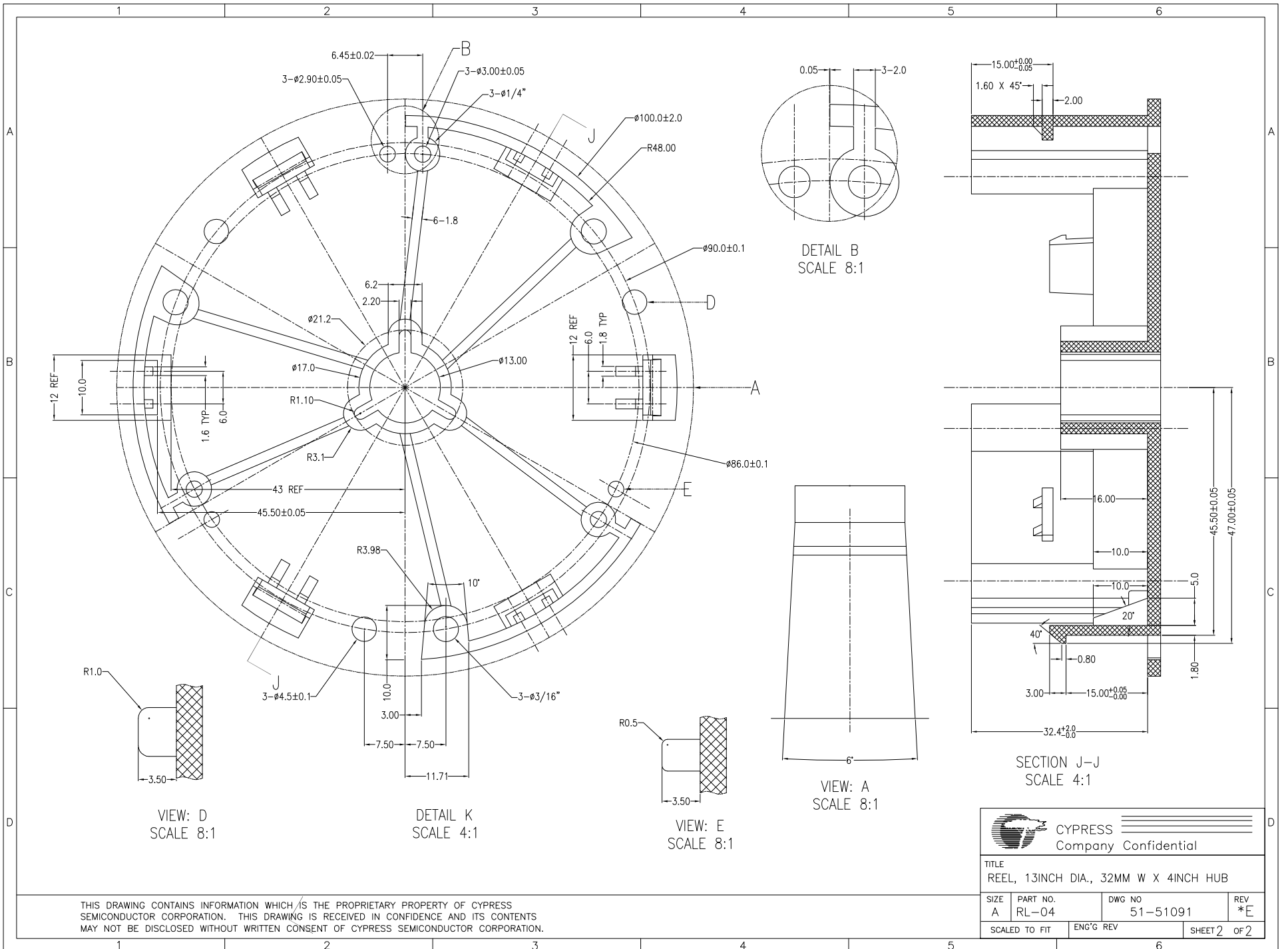
- NOTES:
1. MATERIAL : POLYSTYRENE (BLACK)
 2. ANTISTATIC COATED
 3. FLANGE WARPAGE : 3 MM MAXIMUM
 4. ALL DIMENSIONS ARE IN MM
 5. ESD - SURFACE RESISTIVITY
- 10^9 TO 10^{11} OHMS/SQ.
 6. GENERAL TOLERANCE :
X.X = ± 0.40 MM
X.XX = ± 0.20 MM
 7. TOTAL THICKNESS OF REEL: 38.4 MAX.
 8. SUPPLIER PART NO.: TX32-04-EC1



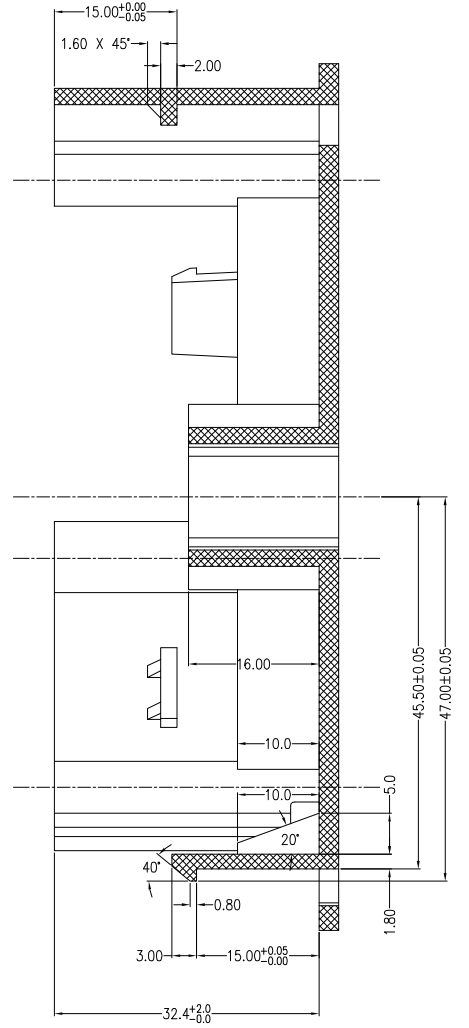
DETAIL C
SCALE 4:1

UNLESS OTHERWISE SPECIFIED ALL DIMENSIONS ARE IN MILLIMETERS STANDARD TOLERANCES ON:		DESIGNED BY	DATE	CYPRESS Company Confidential	
DECIMALS	ANGLES	DRAWN BY	DATE	TITLE REEL, 13INCH DIA., 32MM W X 4INCH HUB	
.X ± 0.40	±	ADD	02/23/12		
.XX ± 0.20		CHECKED BY	DATE	SIZE	PART NO.
.XXX ±		APPROVED BY	DATE	A	RL-04
		QAD	03/18/15	DWG NO	51-51091
MATERIAL	SEE NOTES	APPROVED BY	DATE	REV	*E
FINISH		UYO	03/18/15	SCALED TO FIT	ENG'G REV
		APPROVED BY	DATE	SHEET 1 OF 2	

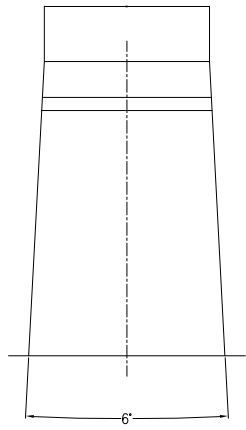
THIS DRAWING CONTAINS INFORMATION WHICH IS THE PROPRIETARY PROPERTY OF CYPRESS SEMICONDUCTOR CORPORATION. THIS DRAWING IS RECEIVED IN CONFIDENCE AND ITS CONTENTS MAY NOT BE DISCLOSED WITHOUT WRITTEN CONSENT OF CYPRESS SEMICONDUCTOR CORPORATION.



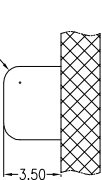
DETAIL B
SCALE 8:1



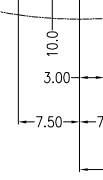
SECTION J-J
SCALE 4:1



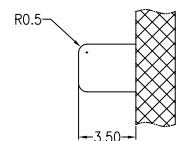
VIEW: A
SCALE 8:1




VIEW: D
SCALE 8:1



DETAIL K
SCALE 4:1



VIEW: E
SCALE 8:1

 CYPRESS Company Confidential			
TITLE REEL, 13INCH DIA., 32MM W X 4INCH HUB			
SIZE A	PART NO. RL-04	DWG NO 51-51091	REV *E
SCALED TO FIT		ENG'G REV	SHEET 2 OF 2

THIS DRAWING CONTAINS INFORMATION WHICH IS THE PROPRIETARY PROPERTY OF CYPRESS SEMICONDUCTOR CORPORATION. THIS DRAWING IS RECEIVED IN CONFIDENCE AND ITS CONTENTS MAY NOT BE DISCLOSED WITHOUT WRITTEN CONSENT OF CYPRESS SEMICONDUCTOR CORPORATION.