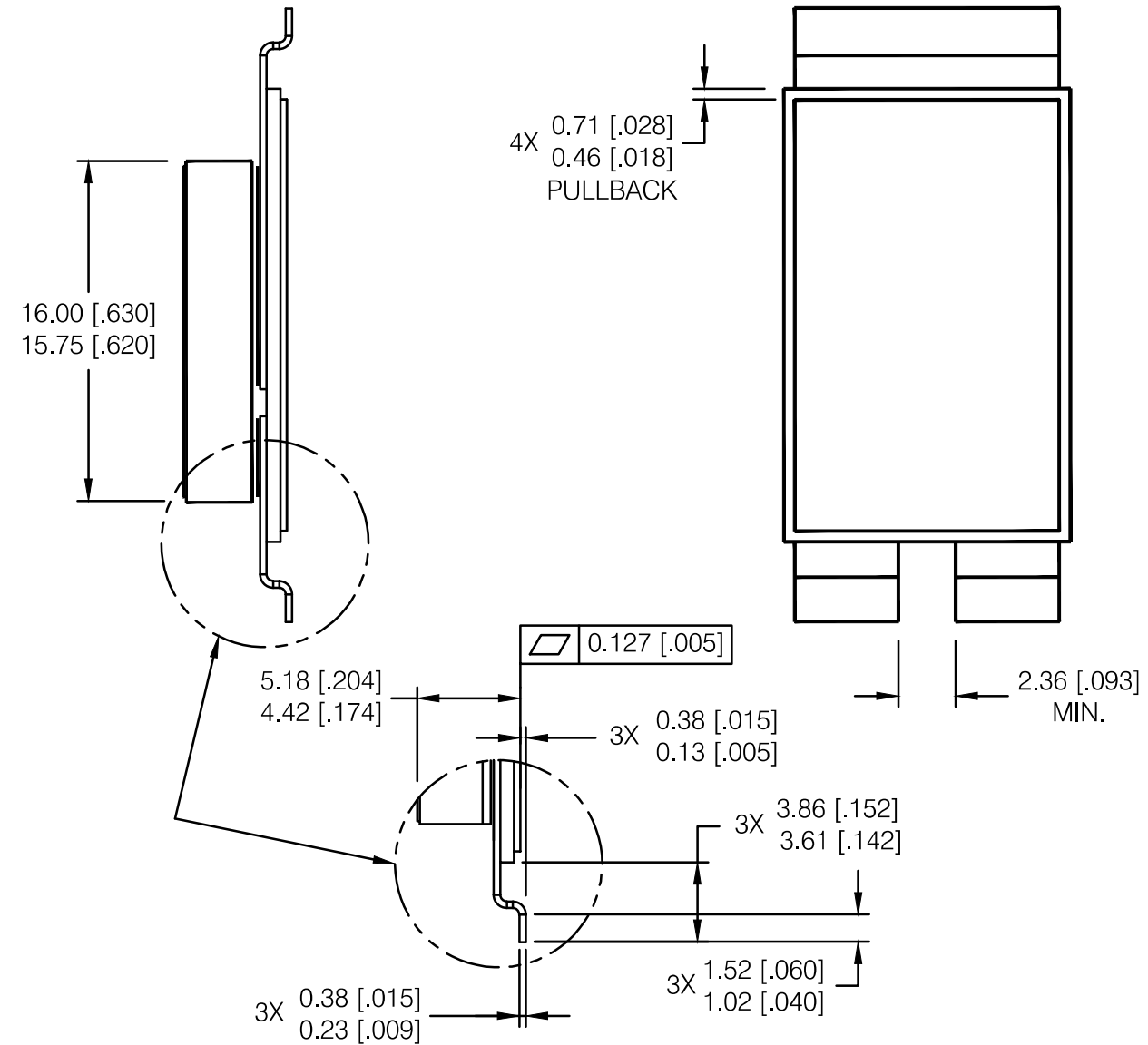
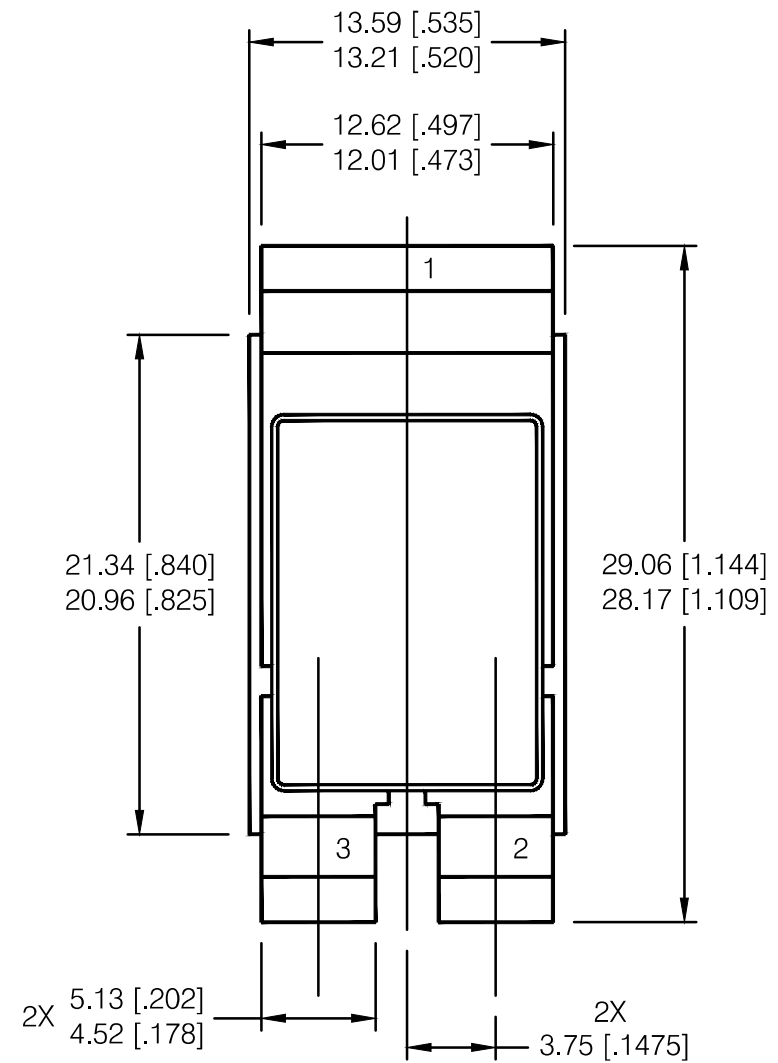


REV.	DESCRIPTION	ECN	DATE
F	CHANGE PER ECN	1120_09327	10-26-22



NOTES:

1. DIMENSIONING & TOLERANCING PER ASME Y14.5M-1994.
2. CONTROLLING DIMENSION: INCH
3. DIMENSIONS ARE SHOWN IN MILLIMETERS [INCHES].
4. STANDARD FINAL FINISH ON ALL TERMINALS IS 100%Au.

IOR HiRel
An Infineon Technologies Company

TITLE: SINGLE CARRIER,
SMD-1, OUTLINE

DRAWING NO.
D100780G-WEB

REV F