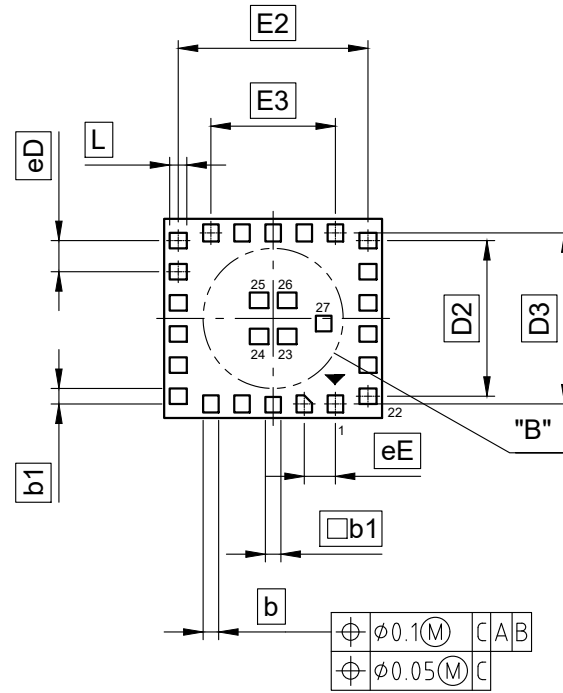



Bottom view



SYMBOL	DIMENSIONS		
	MIN.	NOM.	MAX.
A	-	-	0.96
D	3.2 BSC		
E	3.5 BSC		
D1	0.58 BSC		
E1	0.45 BSC		
D2	2.5 BSC		
E2	3.05 BSC		
D3	2.75 BSC		
E3	2 BSC		
b	0.25 BSC		
b1	0.25 BSC		
b2	0.25 BSC		
L	0.28 BSC		
L2	0.3 BSC		
eD	0.5 BSC		
eE	0.5 BSC		
c	0.2 BSC		

All dimensions are in units mm

The drawing is in compliance with ISO 128-30, Projection Method 1 []