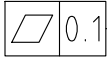
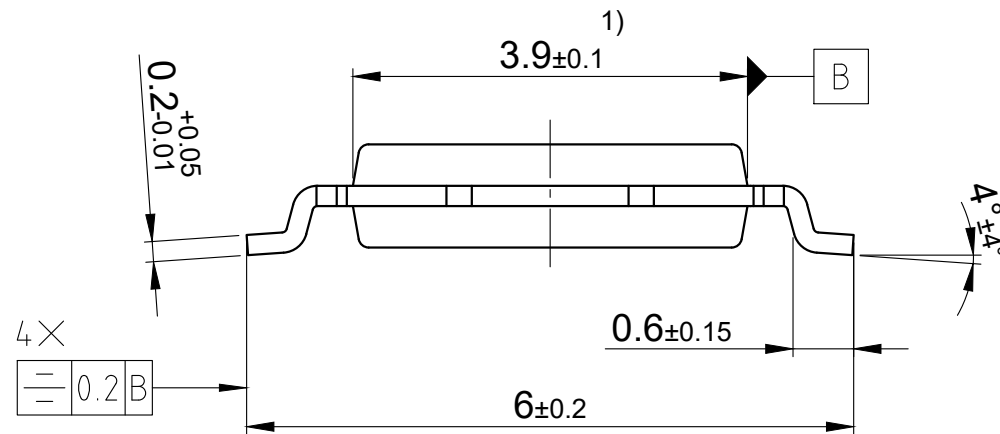
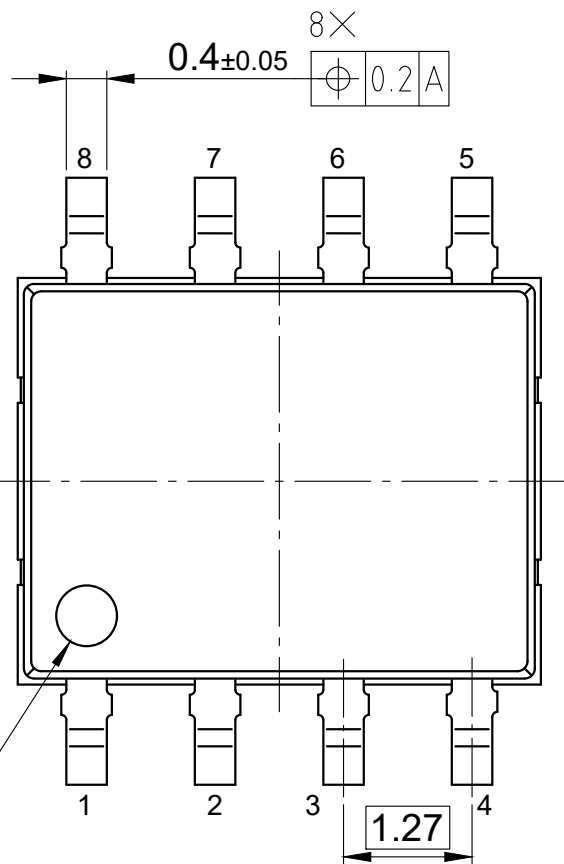
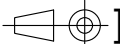


8×
 0.1
 Seating plane



1) Outer dimension does not include protrusion or intrusion of 0.15 per side
 All dimensions are in units mm

The drawing is in compliance with ISO 128-30, Projection Method 1 []

Drawing according to ISO 8015, general tolerances