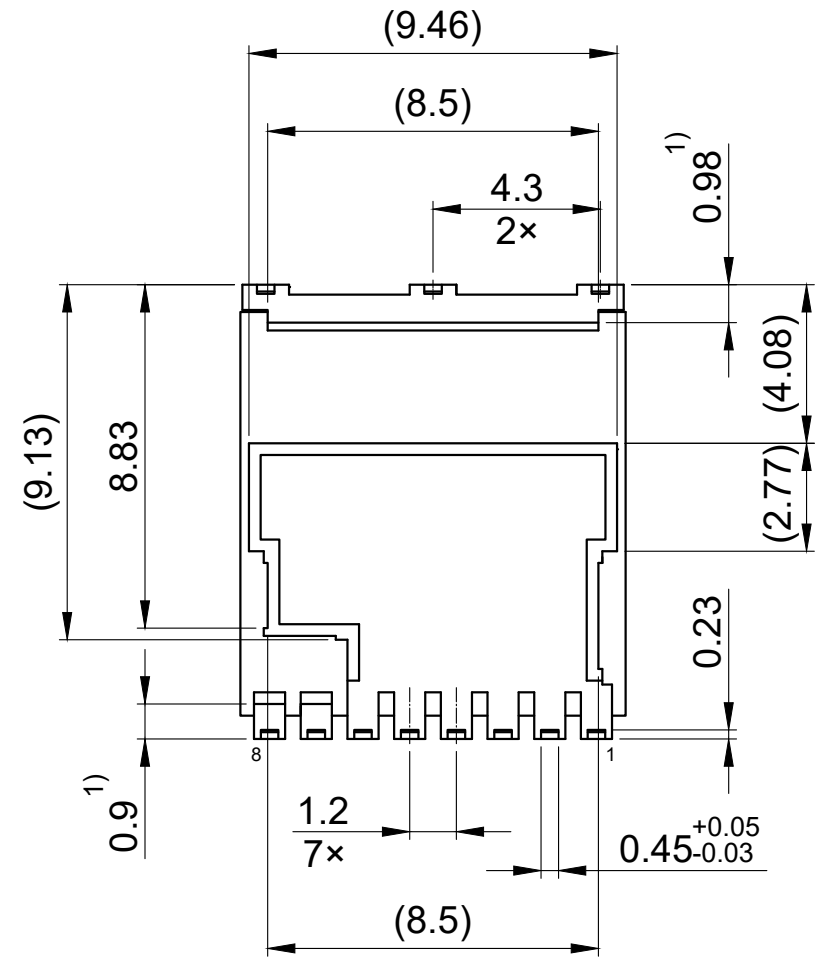
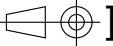


Bottom view



1) Lead length up to anti flash profile, mold flashes excluded.

All dimensions are in units mm

The drawing is in compliance with ISO 128-30, Projection Method 1 [  ]

Drawing according to ISO 8015, general tolerances  $\pm 0.1; \pm 1^\circ 30'$