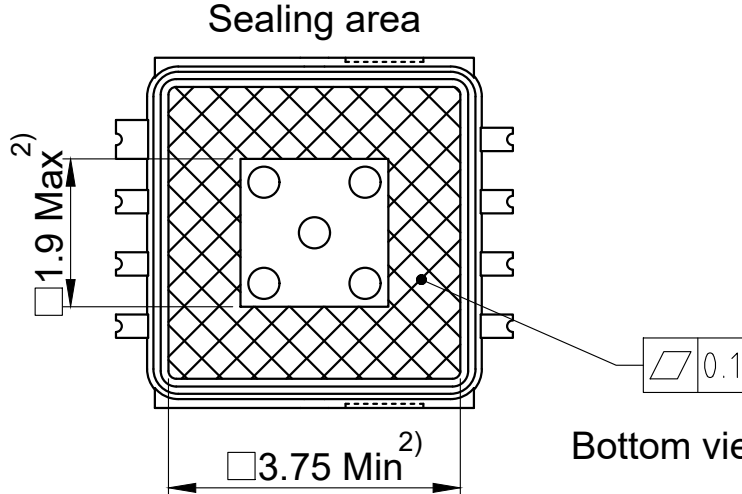
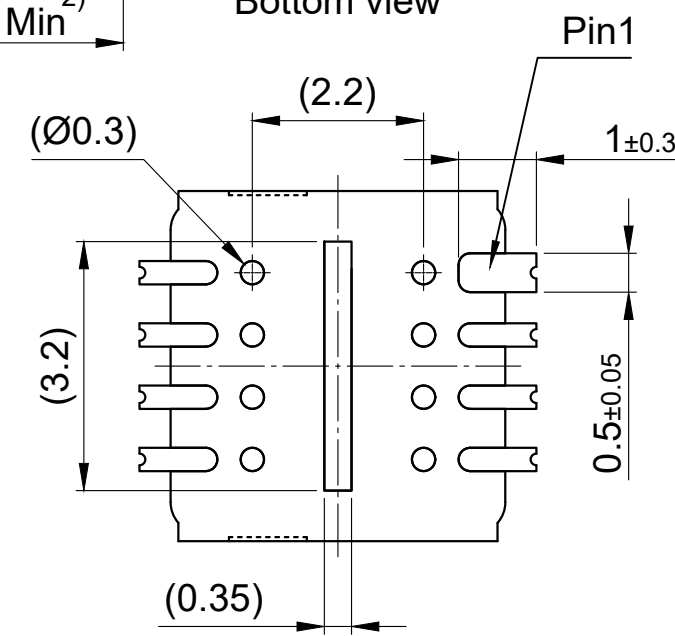
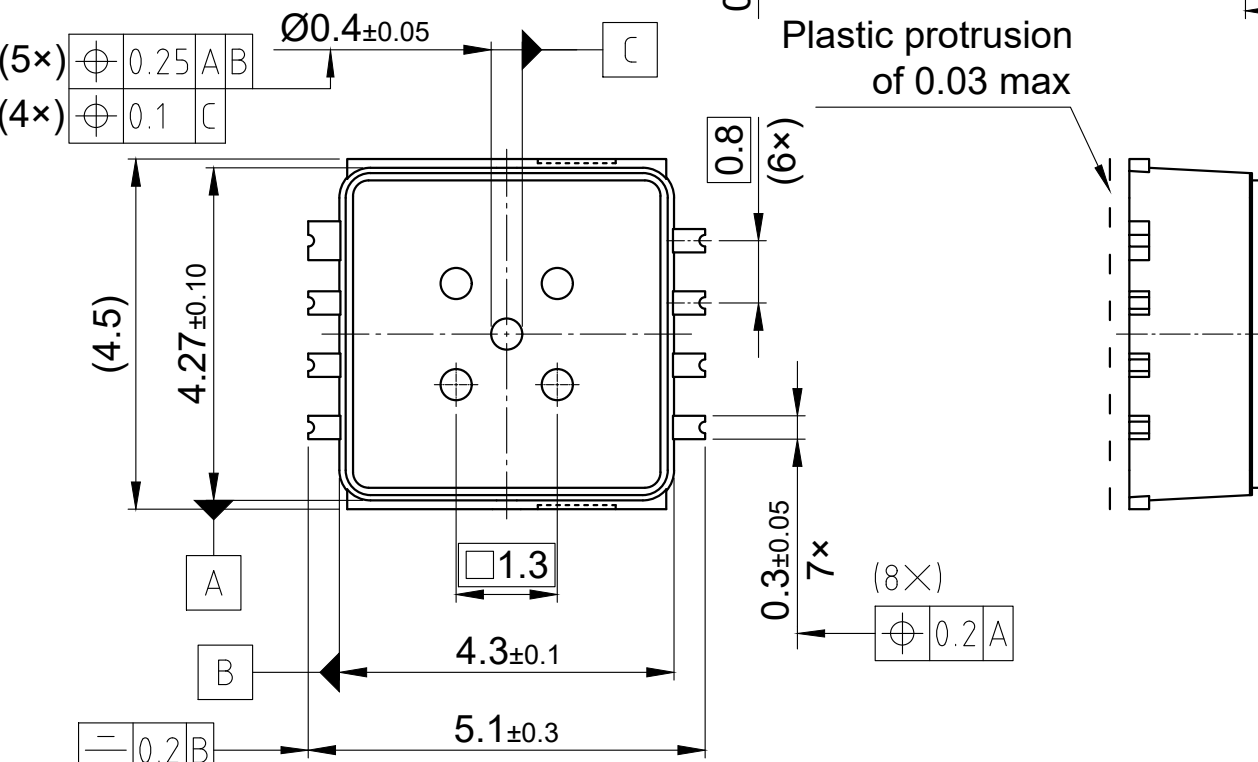




Seating plane



Bottom view



Outer dimensions does not include protrusion or intrusion of 0,2 max. per side

Sealing area on lid

1) Valid for the whole seating plane included tiebar area

2) Position of sealing surface defined by position of lid holes & edge

All dimensions are in units mm

The drawing is in compliance with ISO 128-30, Projection Method 1

Drawing according to ISO 8015, general tolerances