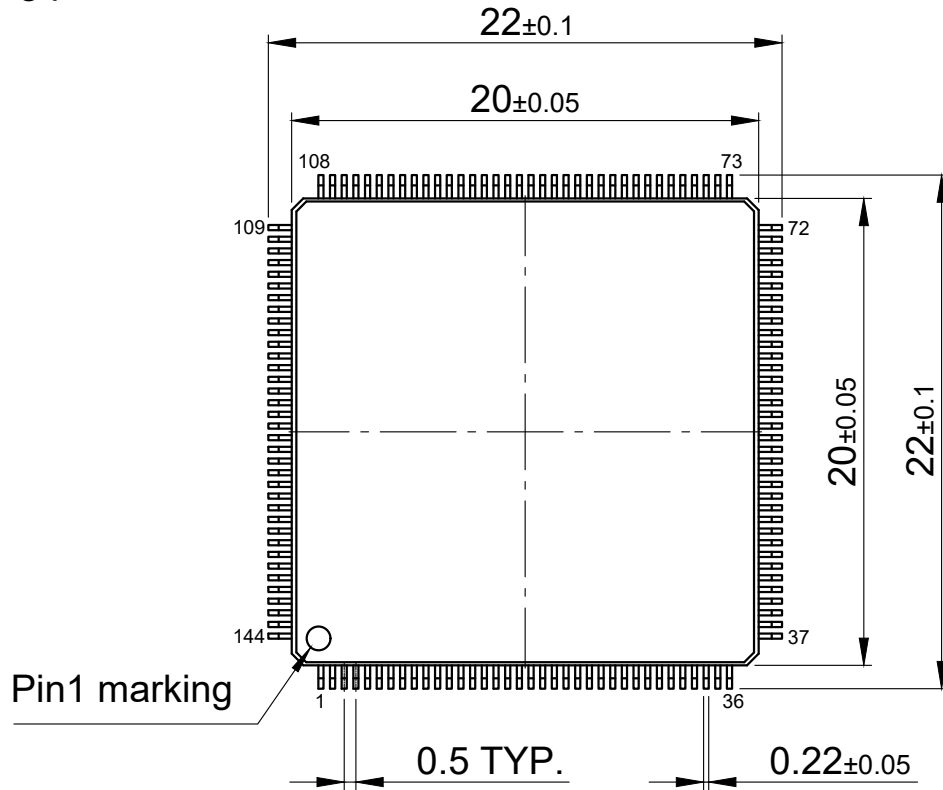
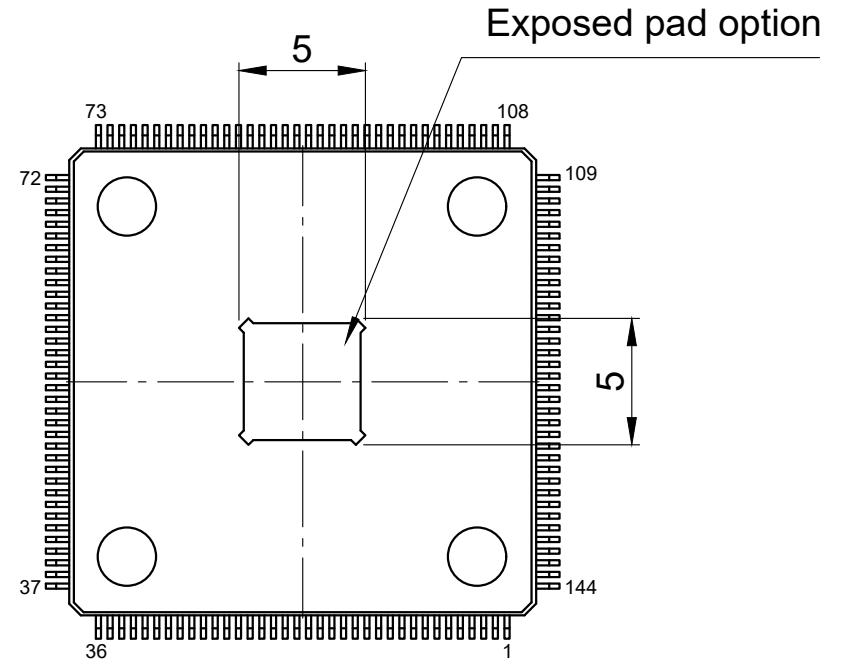


Seating plane

Bottom view

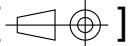


Pin1 marking



Exposed pad option

All dimensions are in units mm

The drawing is in compliance with ISO 128-30, Projection Method 1 [  ]