



Please note that Cypress is an Infineon Technologies Company.

The document following this cover page is marked as “Cypress” document as this is the company that originally developed the product. Please note that Infineon will continue to offer the product to new and existing customers as part of the Infineon product portfolio.

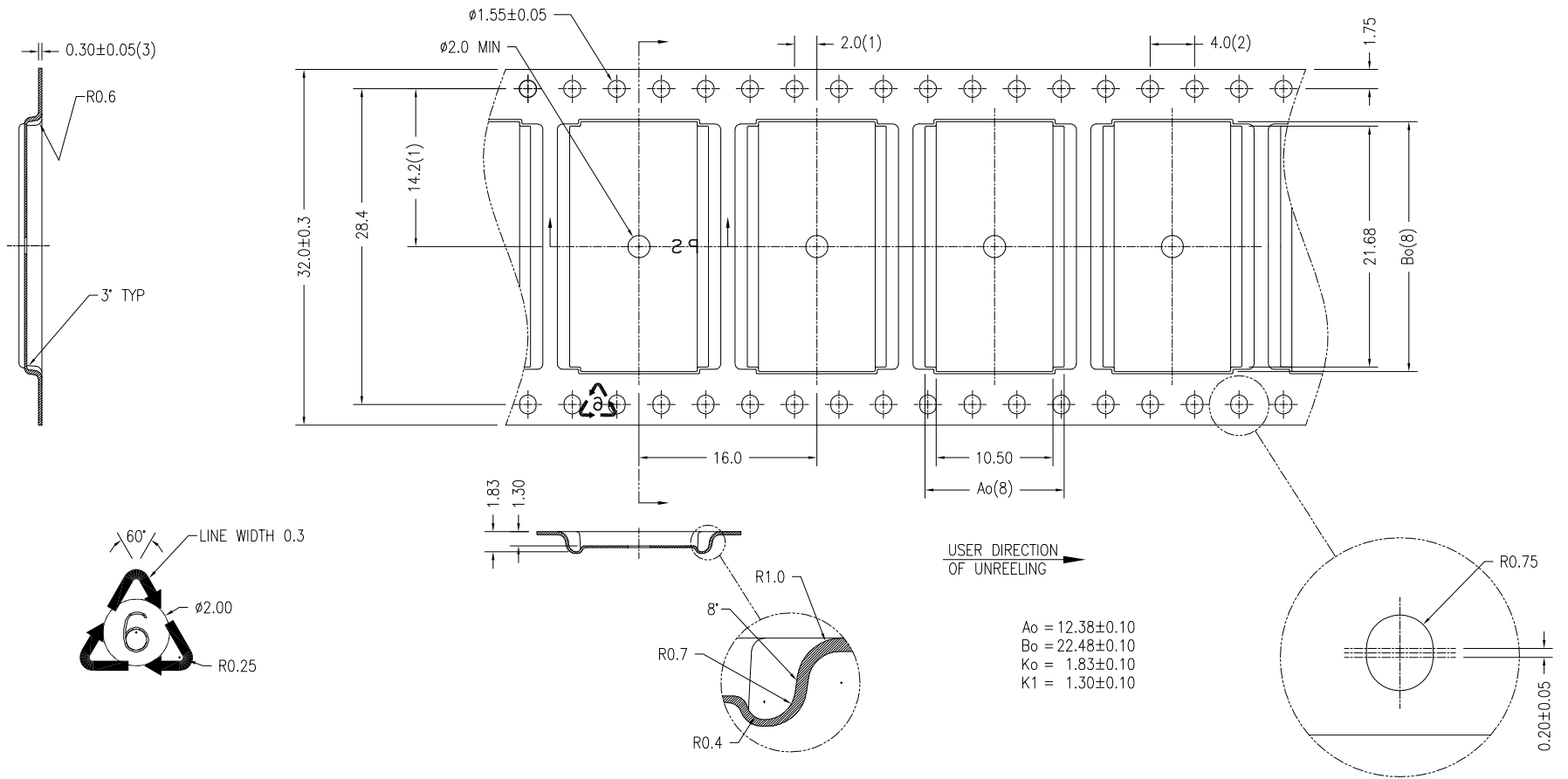
Continuity of document content

The fact that Infineon offers the following product as part of the Infineon product portfolio does not lead to any changes to this document. Future revisions will occur when appropriate, and any changes will be set out on the document history page.

Continuity of ordering part numbers

Infineon continues to support existing part numbers. Please continue to use the ordering part numbers listed in the datasheet for ordering.

REVISIONS						
PAGE	ZONE	REV	ECN	DESCRIPTION	DATE	APPROVER
1	-	**	113649	NEW RELEASE	10/13/98	
1	-	*A	120099	Change title from 54LD TSOP Carrier Tape to Carrier Tape, TSOPII54, Change tolerance on major dim. from 1 to 0.1, Reformat notes, change p/n from Z54ACT to Z54CT	03/24/03	
1	-	*B	462497	Removed value on the drawing based on character reference. Update K1 to 1.30mm.	05/18/11	
1	-	*C	3277229	UPDATED DRAWING BASED ON SUPPLIER'S LATEST DRAWING REVISION CHANGE DRAWING TEMPLATE	06/17/11	
1	-	*D	4605549	UPDATED DRAWING TEMPLATE	12/21/14	



$A_0 = 12.38 \pm 0.10$
 $B_0 = 22.48 \pm 0.10$
 $K_0 = 1.83 \pm 0.10$
 $K_1 = 1.30 \pm 0.10$

- NOTES:
- (1). MEASURED FROM THE CENTERLINE OF SPROCKET HOLE TO CENTERLINE OF THE POCKET HOLE AND FROM THE CENTERLINE OF SPROCKET HOLE TO CENTERLINE OF THE POCKET.
 - (2). CUMULATIVE TOLERANCE OF 10 SPROCKET HOLES IS ± 0.20
 - (3). THIS THICKNESS IS APPLICABLE AS MEASURE AT THE EDGE OF THE TAPE.
 4. MATERIAL: BLACK POLYSTYRENE
 5. DIMENSIONS ARE IN MILLIMETERS.
 6. ALLOWABLE CAMBER TO BE 1MM PER 100MM IN LENGTH, NON-CUMULATIVE OVER 250MM.
 7. UNLESS OTHERWISE SPECIFIED, TOLERANCE ± 0.10 .
 - (8). MEASUREMENT POINT TO BE 0.3 FROM BOTTOM POCKET.
 9. SURFACE RESISTIVITY FROM 1.0×10^9 TO 1.0×10^{11} OHMS/SQ

UNLESS OTHERWISE SPECIFIED		DESIGNED BY	DATE	CYPRESS COMPANY CONFIDENTIAL			
ALL DIMENSIONS ARE IN MILLIMETERS STANDARD TOLERANCES ON:		DRAWN	DATE	 CYPRESS COMPANY CONFIDENTIAL TITLE CARRIER TAPE, TSOPII54 SIZE A PART NO. Z54CT DWG NO. 51-51147 REV *D			
DECIMALS	ANGLES	XVC	12/21/14				
XX ± 0.10	± 1.0	CHK BY	DATE				
XXX ± 0.200		ECVI	12/21/14				
XXXX ± 0.5000		APPROVED BY	DATE				
MATERIAL		QAD	12/21/14				
SEE NOTE		APPROVED BY	DATE				
FINISH		UYO	12/21/14				
SEE NOTE				DO NOT SCALE SHEET 1 OF 1			