



Please note that Cypress is an Infineon Technologies Company.

The document following this cover page is marked as “Cypress” document as this is the company that originally developed the product. Please note that Infineon will continue to offer the product to new and existing customers as part of the Infineon product portfolio.

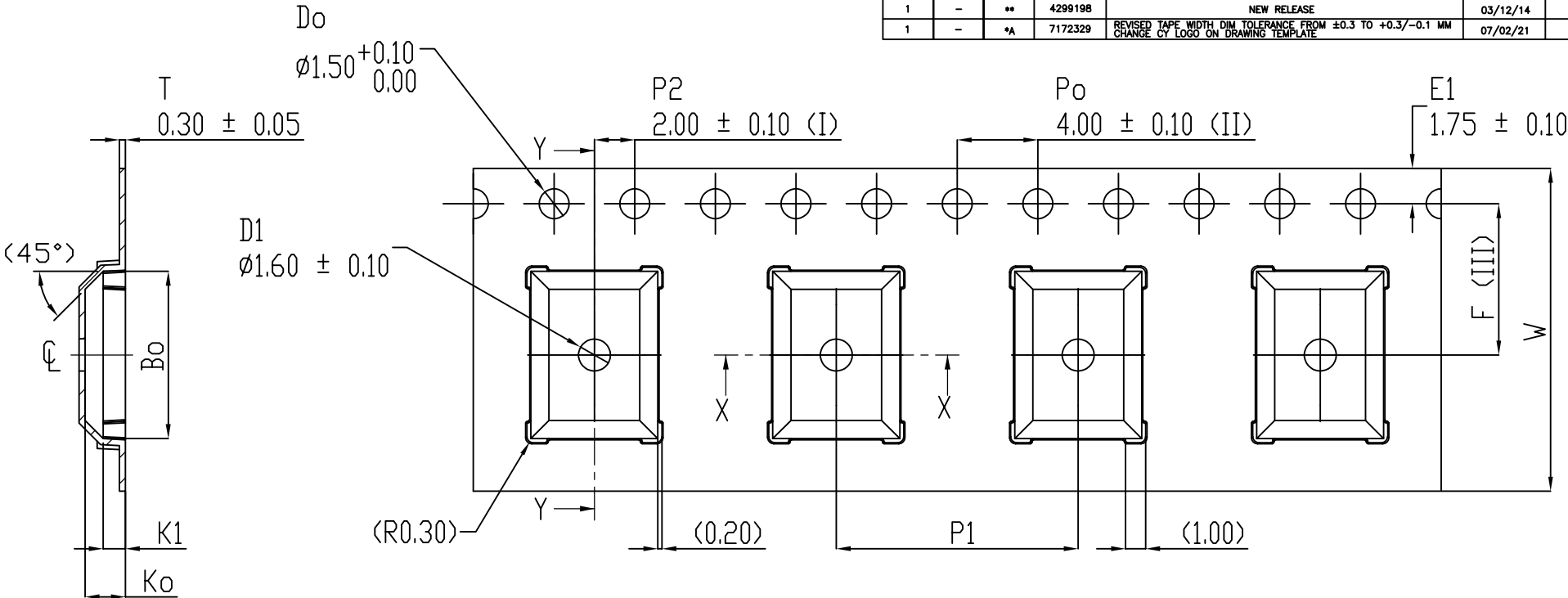
Continuity of document content

The fact that Infineon offers the following product as part of the Infineon product portfolio does not lead to any changes to this document. Future revisions will occur when appropriate, and any changes will be set out on the document history page.

Continuity of ordering part numbers

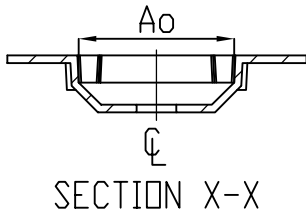
Infineon continues to support existing part numbers. Please continue to use the ordering part numbers listed in the datasheet for ordering.

REVISIONS						
PAGE	ZONE	REV	ECN	DESCRIPTION	DATE	APPROVED
1	-	**	4299198	NEW RELEASE	03/12/14	
1	-	*A	7172329	REVISED TAPE WIDTH DIM TOLERANCE FROM ± 0.3 TO $+0.3/-0.1$ MM CHANGE CY LOGO ON DRAWING TEMPLATE	07/02/21	



SECTION Y-Y

Ao	6.30	+/- 0.10
Bo	8.30	+/- 0.10
Ko	2.00	+/- 0.10
K1	1.10	+/- 0.10
F	7.50	+/- 0.10
P1	12.00	+/- 0.10
W	16.00	+0.30 / -0.10



SECTION X-X

- (I) Measured from centreline of sprocket hole to centreline of pocket.
- (II) Cumulative tolerance of 10 sprocket holes is ± 0.20 .
- (III) Measured from centreline of sprocket hole to centreline of pocket.
- (IV) Other material available.
- (V) Dimension with () is used for design reference purposes, No measurement required.

ALL DIMENSIONS IN MILLIMETRES UNLESS OTHERWISE STATED.

THIS DRAWING CONTAINS INFORMATION WHICH IS THE PROPRIETARY PROPERTY OF CYPRESS SEMICONDUCTOR CORPORATION. THIS DRAWING IS RECEIVED IN CONFIDENCE AND ITS CONTENTS MAY NOT BE DISCLOSED WITHOUT WRITTEN CONSENT OF CYPRESS SEMICONDUCTOR CORPORATION.

UNLESS OTHERWISE SPECIFIED ALL DIMENSIONS ARE IN MILLIMETERS STANDARD TOLERANCES ON: DECIMALS .X ± 0.10 .XX ± 0.10 .XXXX + ANGLES \pm	DESIGNED BY DEFAULT TEXT	DATE DEFAULT TEXT					
	DRAWN BY KWTE	DATE 07/02/21					
	CHECKED BY DMAL	DATE 07/02/21					
	APPROVED BY LKSU	DATE 07/02/21					
MATERIAL PS	APPROVED BY LFSA	DATE 07/02/21	TITLE CARRIER TAPE, BGA 36/48 (6X8X1.0MM) (CPAK)				
FINISH BLACK	APPROVED BY DEFAULT TEXT	DATE DEFAULT TEXT	<table border="1"> <tr> <td>SIZE A</td> <td>PART NO. BA6X8CT-*</td> <td>DWG NO 001-91386</td> <td>REV *A</td> </tr> </table>	SIZE A	PART NO. BA6X8CT-*	DWG NO 001-91386	REV *A
SIZE A	PART NO. BA6X8CT-*	DWG NO 001-91386	REV *A				

SCALED TO FIT	ENG'G REV	SHEET 1	OF 1
---------------	-----------	---------	------